

Baby changing tables

- Ergonomic Baby changing tables, height adjustable or fixed height



ABOUT US

GRANBERG



Six decades have passed since the Granberg brothers' joinery workshop built the first specially designed kitchen for the disabled. We now view our task in a broader perspective. It involves making day-to-day duties simpler and more convenient for everyone. By developing, manufacturing and supplying innovative comfort features for kitchens and bathrooms, we have achieved world leadership - but still with our feet firmly on the ground, and with the determination to become involved in your particular needs and requirements.



CONTENT

ABOUT GRANBERG	4
GRANBERG BABY CHANGING TABLES	6
HEIGHT ADJUSTABLE CHANGING TABLES	8
Baby changing table 332	10
Baby changing table 332 - laundry sink	16
Baby changing table 333	20
Baby changing table 333 - laundry sink	26
Baby changing table 334	30
Baby changing table 334 - laundry sink	36
Baby changing table 335	40
Baby changing table 335 - laundry sink	46
CHANGING TABLES WITH FIXED WORKING HEIGHT	50
Baby changing table 327	52
Baby changing table 327 - laundry sink	58
Washing bench 328 - washing bench	62
HEIGHT ADJUSTABLE NURSING TABLES	64
Baby changing table 343	66
Baby changing table 343 - bathtub	68
Nursing bench 345	70
Shower trolley 346 - shower trolley	72
ACCESSORIES	74



The story began as early as 1870 in Ringarum, Sweden, when Otto Granberg built his first chairs. He sold these chairs at the local market. Business went well and Otto's joinery began mass-producing furniture. The factory soon relocated to Norrköping and expanded their range with windows, doors and staircases. After almost 30 years, Otto's son, Frans, took over the company. He followed in his father's footsteps, but also produced school furniture and interior joinery products. Just over thirty years later, Frans handed over the company to his sons, Nils, Bängt, Oscar and Erik. They continued to run the company the way their father and grandfather had.

Granberg quickly became known for the lifetime guarantee of its products. The quality was high and if anything were to break, the sons ensured it was repaired or replaced. A promise that still applies to this day. Personal service and reliable products. 90 years after Otto began making chairs, the company changed direction and Granberg's modern history began in 1960. The company started to develop products for the disabled and today is a world leader within this sector.



Quality has been an important part of our brand ever since Otto Granberg founded our company back in 1870. As a family business we are proud of the products we create. We therefore only supply quality products that we know well and with which we have been working for many years. We always provide a 2 year warranty for our products in order to make our customers feel even more secure.



For your safety, we work solely with CE-marked lift systems which have undergone risk analyses and tests. Our changing tables are based on tried and tested technology and certain models have built-in safety systems which stop the moving parts if anything was to get in the way.






SINCE 1870
GRANBERG

Our changing tables are available in a number of designs, for professional use within preschools, schools, rehabilitation and hospitals.

What they have in common is that they maintain top quality and every detail is well thought-out in order to suit environments with a high level of requirements for hygiene, stability and safety.



Height adjustable changing tables

Page 8



- For use within preschools, schools and rehabilitation.
- Suitable for environments with a high level of requirements for hygiene, stability and safety.

Changing tables with fixed working height

Page 50



- For use within preschools, schools and rehabilitation and other public environments

Height adjustable nursing tables

Page 66



- For professional use within schools, rehabilitation and hospitals
- All electronic components approved according to EN 60601-1 for medical electrical equipment

Product overview

Height adjustable changing tables

Baby changing table 332

Page 10



- Changing table with laminate board, width 62 - 120 cm with mattress
- Electrically height adjustable 73 - 113 cm above floor
- Freestanding with adjustable feet
- Easy-to-use programmable table control

Baby changing table 332 - laundry sink

Page 16



- Changing table with laminate board 140 cm with mattress and laundry sink
- Electrically height adjustable 73 - 113 cm above floor
- Freestanding with adjustable feet
- Easy-to-use programmable table control

Baby changing table 333

Page 20



- Moulded changing table 80 cm with mattress
- Electrically height adjustable 72 - 112 cm above floor
- Freestanding with adjustable feet
- Easy-to-use programmable table control

Baby changing table 333 - laundry sink

Page 26



- Moulded changing table 140 cm with mattress and laundry sink
- Electrically height adjustable 72 - 112 cm above floor
- Freestanding with adjustable feet
- Easy-to-use programmable table control

Baby changing table 335

Page 30



- Moulded changing table 80 cm with mattress
- Electrically height adjustable 40 - 112 cm above floor
- Wall mounted to make cleaning easier
- Corded hand control
- Integrated safety switch
- Foldable changing table area

Baby changing table 334 - laundry sink

Page 36



- Moulded changing table 140 cm with mattress and laundry sink
- Electrically height adjustable 40 - 112 cm above floor
- Wall mounted to make cleaning easier
- Corded hand control
- Integrated safety switch
- Equipped with storage baskets

Baby changing table 335

Page 40



- Moulded changing table 80 cm with mattress
- Electrically height adjustable 67 - 107 cm above floor
- Wall mounted to make cleaning easier
- Easy-to-use programmable table control

Baby changing table 335 - laundry sink

Page 46

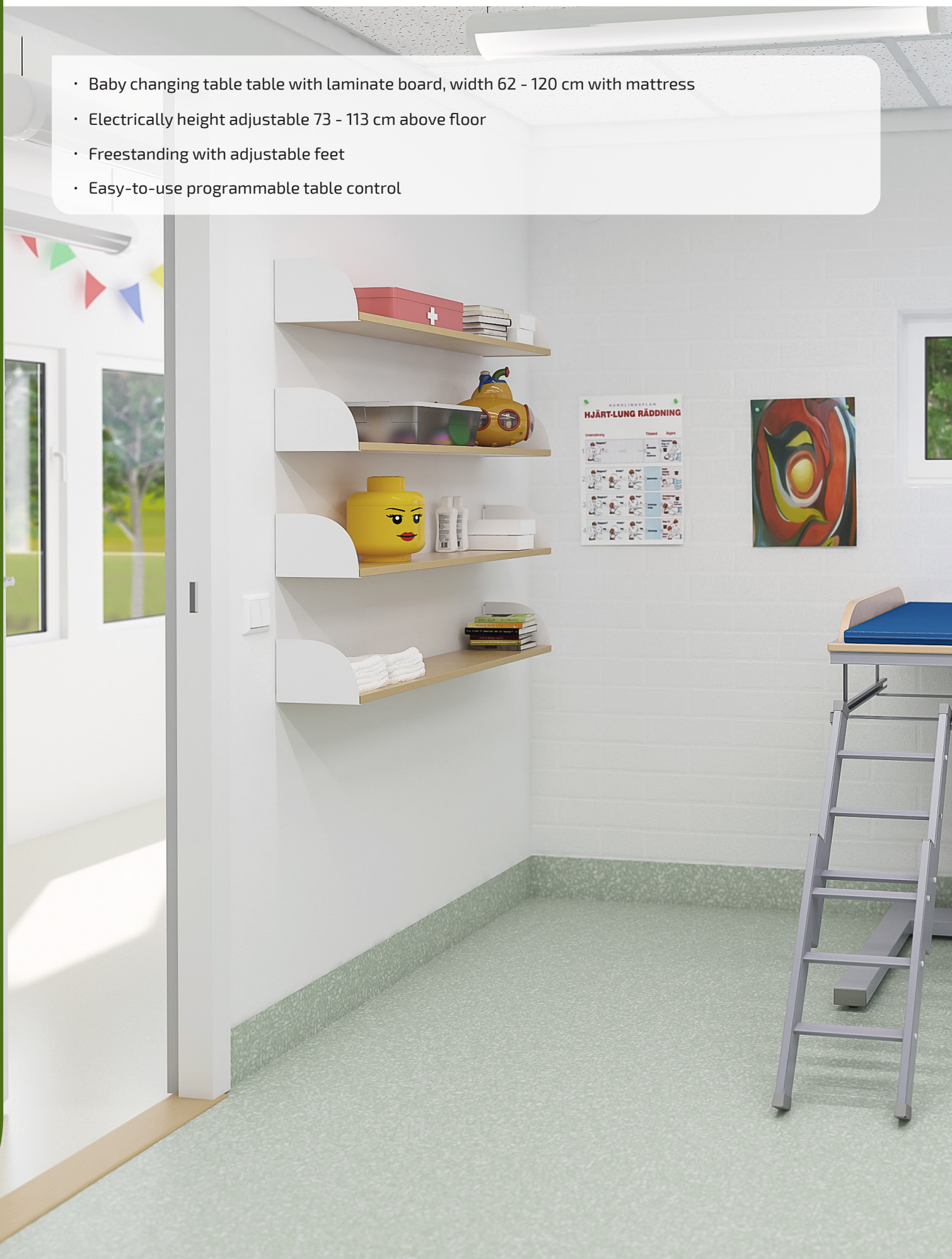


- Moulded changing table 140 cm with mattress and laundry sink
- Electrically height adjustable 67 - 107 cm above floor
- Wall mounted to make cleaning easier
- Easy-to-use programmable table control

Baby changing table 332

Freestanding electrically height adjustable baby changing table with mattress

- Baby changing table table with laminate board, width 62 - 120 cm with mattress
- Electrically height adjustable 73 - 113 cm above floor
- Freestanding with adjustable feet
- Easy-to-use programmable table control





Baby changing table 332 - Standard model Page 12



- Mattress, extendable ladder and basket section
- Border height 5.5 or 20.0 cm
- Freestanding

Baby changing table 332 - Combination 1 Page 13



- Mattress, ladder and basket section
- 1 x changing table with border height 5.5 or 20.0 cm
- Freestanding changing table
- Washing bench with baskets

Baby changing table 332 - Combination 2 Page 14



- Mattress, ladder and basket section
- 2 x changing table with border height 5.5 or 20.0 cm
- Freestanding changing table
- Washing bench with baskets

Baby changing table 332 - Build your own Page 15



- Mattress
- Border height 5.5 or 20.0 cm
- Freestanding



Functions and benefits

- Baby changing table with laminate board 80 cm with mattress
- Electrically height adjustable 73 - 113 cm above floor
- Freestanding with adjustable feet
- Easy-to-use programmable table control

Standard equipment

- Mattress
- 2 x storage baskets
- Extendable ladder
- Programmable table control

Specifications

Border height	55 or 200 mm
Width	800 mm
Depth	800 mm
Operation	Table control programmable in 3 different height positions
Installation	Freestanding
Height setting	730 - 1130 mm
Speed	30 mm/sec.
Max. user weight	50 kg
Electrical connection	230 V -50 Hz, Max. 400 VA
Enclosure class	IP20
Storage baskets	(WxD) 325x430 mm, 2 x height 185 mm
Material specification	Motor unit: Anodised aluminium Floor frame: Powder coated steel (Grey RAL 9006) with adjustable feet Changing table surface: Board with white high-pressure laminate with solid birch moulding Mattress: (WxDxH) 710x750x30 mm. Manufactured from phthalate-free artificial leather. Cover and cold foam certified as per OEKO-TEX standard 100 class 1 Borders: Solid clear varnished birch
CE	



Art. no.	Designation
332-080-021	Baby changing table 332 Standard model - 80 cm width - 5.5 cm border - Extendable ladder on left - Storage baskets on right

Art. no.	Designation
332-080-012	Baby changing table 332 Standard model - 80 cm width - 5.5 cm border - Extendable ladder on right - Storage baskets on left



Art. no.	Designation
332-080-121	Baby changing table 332 Standard model - 80 cm width - 20 cm border - Extendable ladder on left - Storage baskets on right

Art. no.	Designation
332-080-112	Baby changing table 332 Standard model - 80 cm width - 20 cm border - Extendable ladder on right - Storage baskets on left



Functions and benefits

- Baby changing table with laminate board 80 cm with mattress
- Electrically height adjustable 73 - 113 cm above floor
- Freestanding with adjustable feet
- Easy-to-use programmable table control



Art. no.	Designation
332-081-01	Baby changing table 332 Combination 1 - 147 cm width - 5.5 cm border - Extendable ladder on left - Storage baskets on right - Washing bench on right - Mixer and hoses

Art. no.	Designation
332-081-02	Baby changing table 332 Combination 1 - 147 cm width - 5.5 cm border - Washing bench on left - Storage baskets on left - Washing bench on left - Mixer and hoses

Standard equipment changing table

- Mattress
- 2 x storage baskets
- Extendable ladder
- Programmable table control

Standard equipment washing bench

- Mixer, extendable hand shower, flexible water hoses
- 4 x storage baskets
- Cover sides



Art. no.	Designation
332-081-11	Baby changing table 332 Combination 1 - 147 cm width - 20 cm border - Extendable ladder on left - Storage baskets on right - Washing bench on right - Mixer and hoses

Art. no.	Designation
332-081-12	Baby changing table 332 Combination 1 - 147 cm width - 20 cm border - Extendable ladder on right - Storage baskets on left - Washing bench on left - Mixer and hoses

Specifications

Border height	55 or 200 mm
Width	1470 mm
Depth	800 mm
Operation	Table control programmable in 3 height positions
Installation	Freestanding changing table and washing bench
Height setting	730 - 1130 mm
Speed	30 mm/sec.
Max. user weight	50 kg
Electrical conn.	230 V -50 Hz, Max. 400 VA
Enclosure class	IP20
Storage baskets	Changing table: (WxD) 325x430 mm, 2 x height 185 mm Washing bench: (WxD) 527x527 mm, 1 x height 185 mm, 3 x height 85 mm
Material specification	Motor unit: Anodised aluminium Floor frame: Powder coated steel (Grey RAL 9006) with adjustable feet Changing table surface: Board with white high-pressure laminate with solid birch moulding Mattress: (WxDxH) 710x750x30 mm. Manufactured from phthalate-free artificial leather. Cover and cold foam certified as per OEKO-TEX standard 100 class 1 Borders: Solid clear varnished birch
	CE



Art. no.	Designation
332-082-03	Baby changing table 332 - Combination 2 - 232 cm width - 5.5 cm border

- Extendable ladders
- Storage baskets
- Washing bench
- Mixer and hoses

Functions and benefits

- Baby changing table with laminate board 80 cm with mattress
- Electrically height adjustable 73 - 113 cm above floor
- Freestanding with adjustable feet
- Easy-to-use programmable table control

Standard equipment changing table

- Mattress
- 2 x storage baskets
- Extendable ladder
- Programmable table control

Standard equipment washing bench

- Mixer, extendable hand shower, flexible water hoses
- 4 x storage baskets
- Cover sides



Art. no.	Designation
332-082-13	Baby changing table 332 - Combination 2 - 232 cm width - 20 cm border

- Extendable ladders
- Storage baskets
- Washing bench
- Mixer and hoses

Specifications

Border height	55 or 200 mm
Width	2320 mm
Depth	800 mm
Operation	Table control programmable in 3 height positions
Installation	Freestanding changing table and washing bench
Height setting	730 - 1130 mm
Speed	30 mm/sec.
Max. user weight	50 kg
Electrical conn.	230 V -50 Hz, Max. 400 VA
Enclosure class	IP20
Storage baskets	Changing table: (WxD) 325x430 mm, 4 x height 185 mm Washing bench: (WxD) 527x527 mm, 1 x height 185 mm, 3 x height 85 mm
Material specification	Motor unit: Anodised aluminium Floor frame: Powder coated steel (Grey RAL 9006) with adjustable feet Changing table surface: Board with white high-pressure laminate with solid birch moulding Mattress: (WxDxH) 710x750x30 mm. Manufactured from phthalate-free artificial leather. Cover and cold foam certified as per OEKO-TEX standard 100 class 1 Borders: Solid clear varnished birch
	CE



Art. no.	Designation
332-062	Baby changing table 332, 62 cm width, 5.5 cm border
332-080	Baby changing table 332, 80 cm width, 5.5 cm border
332-100	Baby changing table 332, 100 cm width, 5.5 cm border
332-120	Baby changing table 332, 120 cm width, 5.5 cm border



Art. no.	Designation
332-062-1	Baby changing table 332, 62 cm width, 20 cm border
332-080-1	Baby changing table 332, 80 cm width, 20 cm border
332-100-1	Baby changing table 332, 100 cm width, 20 cm border
332-120-1	Baby changing table 332, 120 cm width, 20 cm border

Functions and benefits

- Baby changing table with laminate board and mattress
- Electrically height adjustable 73 - 113 cm above floor
- Freestanding with adjustable feet
- Easy-to-use programmable table control

Standard equipment

- Mattress
- Programmable table control

Recommended options

- Extendable ladder
- Storage baskets

Specifications

Border height	55 or 200 mm
Width	620 - 1200 mm
Depth	800 mm
Operation	Table control programmable in 3 different height positions
Installation	Freestanding
Height setting	730 - 1130 mm
Speed	30 mm/sec.
Max. user weight	50 kg
Electrical connection	230 V ~50 Hz, Max. 400 VA
Enclosure class	IP20
Material specification	<p>Motor unit: Anodised aluminium</p> <p>Floor frame: Powder coated steel (Grey RAL 9006) with adjustable feet</p> <p>Changing table surface: Board with white high-pressure laminate with solid birch moulding</p> <p>Mattress: 62 cm: (WxD) 530x750x30 mm 80 cm: (WxD) 710x750x30 mm 100 cm: (WxD) 910x750x30 mm 120 cm: (WxD) 1110x750x30 mm Manufactured from phthalate-free artificial leather. Cover and cold foam certified as per OEKO-TEX standard 100 class 1</p> <p>Borders: Solid clear varnished birch</p>
	CE

Accessories

310-035
Lockable castor

Page 76

310-040
Extendable ladder

Page 76

310-061
2 x storage baskets

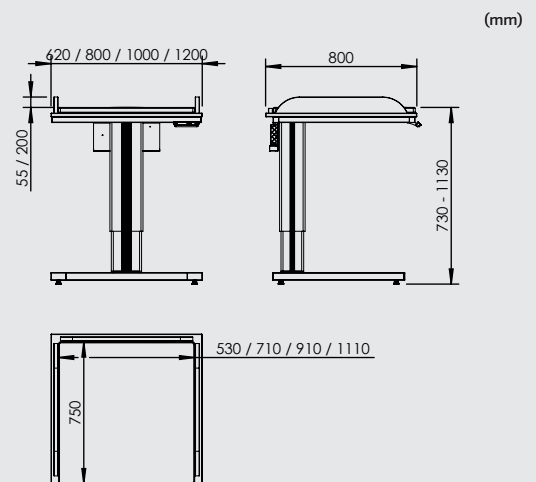
Page 76

310-060
4 x storage baskets

Page 76

328-06-11
Washing bench

Page 64



Baby changing table 332 - laundry sink

Freestanding electrically height adjustable baby changing table with mattress and washing sink

- Baby changing table with laminate board 140 cm, mattress and laundry sink
- Electrically height adjustable 73 - 113 cm above floor
- Freestanding with adjustable feet
- Easy-to-use programmable table control







Functions and benefits

- Baby changing table with laminate board 140 cm with mattress and laundry sink on right and left
- Electrically height adjustable 73 - 113 cm above floor
- Freestanding with adjustable feet
- Easy-to-use programmable table control

Standard equipment

- Mattress
- 2 x storage baskets
- Extendable ladder
- Programmable table control
- Mixer with extendable hand shower and flexible water hoses
- Flexible drainage hose with water trap

Specifications

Border height	55 or 200 mm
Width	1400 mm
Depth	800 mm
Operation	Table control programmable in 3 height positions
Installation	Freestanding
Height setting	730 - 1130 mm
Speed	30 mm/sec.
Max. user weight	50 kg
Electrical connection	230 V -50 Hz, Max. 400 VA
Enclosure class	IP20
Storage baskets	(WxD) 325x430 mm, 2 x height 185 mm
Material specification	Motor unit: Anodised aluminium Floor frame: Powder coated steel (Grey RAL 9006) with adjustable feet Changing table surface: Board with white high-pressure laminate with solid birch moulding Mattress: (WxDxH) 710x750x30 mm. Manufactured from phthalate-free artificial leather. Cover and cold foam certified as per OEKO-TEX standard 100 class 1 Border: Solid clear varnished birch Laundry sink: (WxD) 340x400 mm, 145 mm drawer depth
Plumbing connections	Flexible water hoses and drainage hose with water trap
	CE



Art. no.	Designation
332-141-0211	Baby changing table 332 Standard model, right - 140 cm width - 5.5 cm border - Extendable ladder - Storage baskets - Mixer - Hoses

Art. no.	Designation
332-142-0211	Baby changing table 332 Standard model, left - 140 cm width - 5.5 cm border - Extendable ladder - Storage baskets - Mixer - Hoses



Art. no.	Designation
332-141-1211	Baby changing table 332 Standard model, right - 140 cm width - 20 cm border - Extendable ladder - Storage baskets - Mixer - Hoses

Art. no.	Designation
332-142-1211	Baby changing table 332 Standard model, left - 140 cm width - 20 cm border - Extendable ladder - Storage baskets - Mixer - Hoses

Functions and benefits

- Baby changing table with laminate board 140 cm with mattress and laundry sink on right and left
- Electrically height adjustable 73 - 113 cm above floor
- Freestanding with adjustable feet
- Easy-to-use programmable table control

Standard equipment

- Mattress
- Programmable table control
- Flexible drainage hose with water trap

Recommended options

- Mixer with flexible water hoses
- Storage baskets
- Extendable ladder

Specifications

Border height	55 or 200 mm
Width	1400 mm
Depth	800 mm
Operation	Table control programmable in 3 different height positions
Installation	Freestanding
Height setting	730 - 1130 mm
Speed	30 mm/sec.
Max. user weight	50 kg
Electrical connection	230 V -50 Hz, Max. 400 VA
Enclosure class	IP20
Material specification	Motor unit: Anodised aluminium Floor frame: Powder coated steel (Grey RAL 9006) with adjustable feet Changing table surface: Board with white high-pressure laminate with solid birch moulding Mattress: (WxDxH) 710x750x30 mm. Manufactured from phthalate-free artificial leather. Cover and cold foam certified as per OEKO-TEX standard 100 class 1 Border: Solid clear varnished birch Laundry sink: (WxD) 340x400 mm, 145 mm drawer depth
Plumbing connections	Flexible water hoses and drainage hose with water trap
	CE



Art. no. 332-141
Designation Baby changing table 332 laundry sink right - 140 cm width - 5.5 cm border



Art. no. 332-142
Designation Baby changing table 332 laundry sink left - 140 cm width - 5.5 cm border



Art. no. 332-141-1
Designation Baby changing table 332 laundry sink right - 140 cm width - 20 cm border



Art. no. 332-142-1
Designation Baby changing table 332 laundry sink left - 140 cm width - 20 cm border

Accessories

310-003 Mixer

Page 76

310-040 Extendable ladder

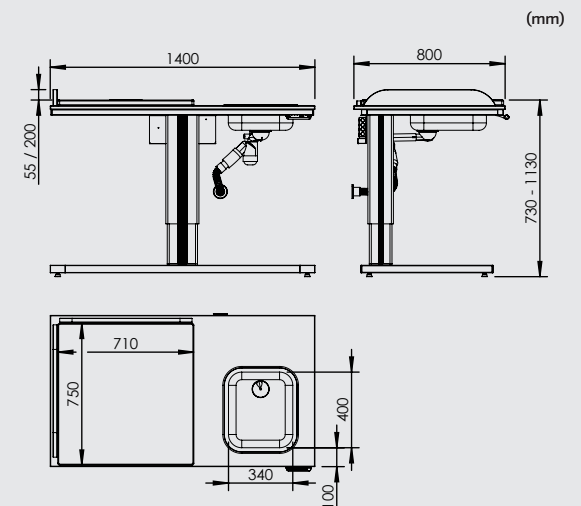
Page 76

310-060 4 x storage baskets

Page 76

310-061 2 x storage baskets

Page 76



Baby changing table 333

Freestanding electrically height adjustable baby changing table with mattress

- Moulded baby changing table 80 cm with mattress
- Electrically height adjustable 72 - 112 cm above floor
- Freestanding with adjustable feet
- Easy-to-use programmable table control



Baby changing table 333 - Standard model Page 22



- Mattress, extendable ladder and basket section
- Border height 5.0 or 20.0 cm
- Freestanding

Baby changing table 333 - Combination 1 Page 23



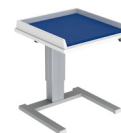
- Mattress, ladder and basket section
- 1 x changing table with border height 5.0 or 20.0 cm
- Freestanding changing table
- Washing bench with baskets

Baby changing table 333 - Combination 2 Page 24



- Mattress, ladder and basket section
- 2 x changing table with border height 5.0 or 20.0 cm
- Freestanding changing table
- Washing bench with baskets

Baby changing table 333 - Build your own Page 25



- Mattress
- Border height 5.0 or 20.0 cm
- Freestanding



Functions and benefits

- Moulded baby changing table 80 cm with mattress
- Electrically height adjustable 72 - 112 cm above floor
- Freestanding with adjustable feet
- Easy-to-use programmable table control

Standard equipment

- Mattress
- 2 x storage baskets
- Extendable ladder
- Programmable table control

Specifications

Border height	50 or 200 mm
Width	800 mm
Depth	800 mm
Installation	Freestanding
Operation	Table control programmable in 3 different height positions
Height setting	720 - 1120 mm
Speed	30 mm/sec.
Max. user weight	50 kg
Electrical connection	230 V -50 Hz, Max. 400 VA
Enclosure class	IP20
Storage baskets	(WxD) 325x430 mm, 2 x height 185 mm
Material specification	Motor unit: Anodised aluminium Floor frame: Powder coated steel (Grey RAL 9006) with adjustable feet Changing table surface: Hygienic moulded plastic Mattress: (WxDxH) 710x710x30 mm. Manufactured from phthalate-free artificial leather. Cover and cold foam certified as per OEKO-TEX standard 100 class 1
	CE



Art. no.	Designation
333-080-021	Baby changing table 333 Standard model - 80 cm width - 5 cm border - Extendable ladder on left - Storage baskets on right

Art. no.	Designation
333-080-012	Baby changing table 333 Standard model - 80 cm width - 5 cm border - Extendable ladder on right - Storage baskets on left



Art. no.	Designation
333-080-121	Baby changing table 333 Standard model - 80 cm width - 20 cm border - Extendable ladder on left - Storage baskets on right

Art. no.	Designation
333-080-112	Baby changing table 333 Standard model - 80 cm width - 20 cm border - Extendable ladder on right - Storage baskets on left



Art. no.	Designation
333-081-01	Baby changing table 333 Combination 1 - 147 cm width - 5 cm border - Extendable ladder on left - Storage baskets on right - Washing bench on right - Mixer and hoses

Art. no.	Designation
333-081-02	Baby changing table 333 - Combination 1 - 147 cm width - 5 cm border - Extendable ladder on right - Storage baskets on left - Washing bench on left - Mixer and hoses



Art. no.	Designation
333-081-11	Baby changing table 333 - Combination 1 - 147 cm width - 20 cm border - Extendable ladder on left - Storage baskets on right - Washing bench on right - Mixer and hoses

Art. no.	Designation
333-081-12	Baby changing table 333 - Combination 1 - 147 cm width - 20 cm border - Extendable ladder on left - Storage baskets on right - Washing bench on left - Mixer and hoses

Functions and benefits

- Moulded baby changing table 80 cm with mattress
- Electrically height adjustable 72 - 112 cm above floor
- Freestanding with adjustable feet
- Easy-to-use programmable table control

Standard equipment changing table

- Mattress
- 2 x storage baskets
- Extendable ladder
- Programmable table control

Standard equipment washing bench

- Mixer, extendable hand shower, flexible water hoses
- 4 x storage baskets
- Cover sides

Specifications

Border height	50 or 200 mm
Width	1470 mm
Depth	800 mm
Installation	Freestanding changing table and washing bench
Operation	Table control programmable in 3 height positions
Height setting	720 - 1120 mm
Speed	30 mm/sec.
Max. user weight	50 kg
Electrical connection	230 V ~50 Hz, Max. 400 VA
Enclosure class	IP20
Storage baskets	Changing table: (WxD) 325x430 mm, 2 x height 185 mm Washing bench: (WxD) 527x527 mm, 1 x height 185 mm, 3 x height 85 mm
Material specification	Motor unit: Anodised aluminium Floor frame: Powder coated steel (Grey RAL 9006) with adjustable feet Changing table surface: Hygienic moulded plastic Mattress: (WxDxH) 710x710x30 mm. Manufactured from phthalate-free artificial leather. Cover and cold foam certified as per OEKO-TEX standard 100 class 1
	CE



Art. no.	Designation
333-082-03	Baby changing table 333 - Combination 2 - 232 cm width - 5 cm border - Extendable ladders - Storage baskets - Washing bench - Mixer and hoses



Art. no.	Designation
333-082-13	Baby changing table 333 - Combination 2 - 232 cm width - 20 cm border - Extendable ladders - Storage baskets - Washing bench - Mixer and hoses

Functions and benefits

- Moulded baby changing table 80 cm with mattress
- Electrically height adjustable 72 - 112 cm above floor
- Freestanding with adjustable feet
- Easy-to-use programmable table control

Standard equipment changing table

- Mattress
- 2 x storage baskets
- Extendable ladder
- Programmable table control

Standard equipment washing bench

- Mixer, extendable hand shower, flexible water hoses
- 4 x storage baskets
- Cover sides

Specifications

Border height	50 or 200 mm
Width	2320 mm
Depth	800 mm
Installation	Freestanding changing table and washing bench
Operation	Table control programmable in 3 height positions
Height setting	720 - 1120 mm
Speed	30 mm/sec.
Max. user weight	50 kg
Electrical connection	230 V ~50 Hz, Max. 400 VA
Enclosure class	IP20
Storage baskets	Changing table: (WxD) 325x430 mm, 4 x height 185 mm Washing bench: (WxD) 527x527 mm, 1 x height 185 mm, 3 x height 85 mm
Material specification	Motor unit: Anodised aluminium Floor frame: Powder coated steel (Grey RAL 9006) with adjustable feet Changing table surface: Hygienic moulded plastic Mattress: (WxDxH) 710x710x30 mm. Manufactured from phthalate-free artificial leather. Cover and cold foam certified as per OEKO-TEX standard 100 class 1
	CE



Functions and benefits

- Moulded baby changing table 80 cm with mattress
- Electrically height adjustable 72 - 112 cm above floor
- Freestanding with adjustable feet
- Easy-to-use programmable table control

Standard equipment

- Mattress
- Programmable table control

Recommended options

- Extendable ladder
- Storage baskets

Specifications

Border height	50 mm
Width	800 mm
Depth	800 mm
Installation	Freestanding
Operation	Table control programmable in 3 different height positions
Height setting	720 - 1120 mm
Speed	30 mm/sec.
Max. user weight	50 kg
Electrical connection	230 V ~50 Hz, Max. 400 VA
Enclosure class	IP20
Material specification	<p>Motor unit: Anodised aluminium</p> <p>Floor frame: Powder coated steel (Grey RAL 9006) with adjustable feet</p> <p>Changing table surface: Hygienic moulded plastic</p> <p>Mattress: (WxDxH) 710x710x30 mm. Manufactured from phthalate-free artificial leather. Cover and cold foam certified as per OEKO-TEX standard 100 class 1</p>
CE	

Art. no.	Designation
333-080	Baby changing table 333 - 80 cm width - 5 cm border

Accessories

310-035
Lockable castor

Page 76

310-040
Extendable ladder

Page 76

310-061
2 x storage baskets

Page 76

310-060
4 x storage baskets

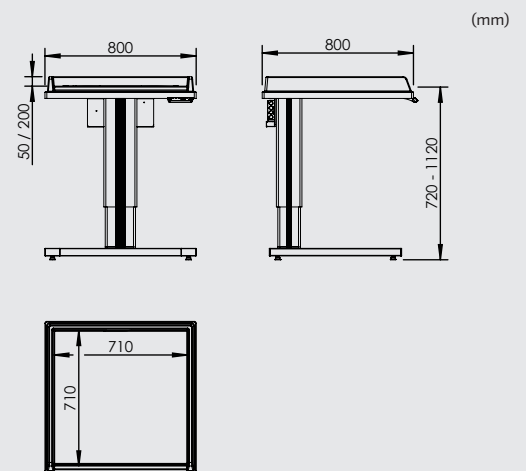
Page 76

310-191
High border

Page 78

328-06-11
Washing bench

Page 64



Baby changing table 333 - laundry sink

Freestanding electrically height adjustable changing table with mattress and washing sink

- Moulded changing table 140 cm, mattress and laundry sink
- Electrically height adjustable 72 - 112 cm above floor
- Freestanding with adjustable feet
- Easy-to-use programmable table control







Functions and benefits

- Moulded changing table 140 cm with mattress and laundry sink on right
- Electrically height adjustable 72 - 112 cm above floor
- Freestanding with adjustable feet
- Easy-to-use programmable table control

Standard equipment

- Mattress
- 2 x storage baskets
- Extendable ladder
- Programmable table control
- Mixer with extendable hand shower and flexible water hoses
- Flexible drainage hose with water trap

Art. no.	Designation
333-141-0211	Baby changing table 333 - Standard model - laundry sink right
	- 140 cm width - Extendable ladder - Mixer
	- 5 cm border - Storage baskets - Hoses



Art. no.	Designation
333-141-1211	Baby changing table 333 - Standard model - laundry sink right
	- 140 cm width - Extendable ladder - Mixer
	- 20 cm border - Storage baskets - Hoses

Specifications

Border height	50 or 200 mm
Width	1400 mm
Depth	800 mm
Installation	Freestanding
Operation	Table control programmable in 3 different height positions
Height setting	720 - 1120 mm
Speed	30 mm/sec.
Max. user weight	50 kg
Electrical connection	230 V - 50 Hz, Max. 400 VA
Enclosure class	IP20
Storage baskets	(WxD) 325x430 mm, 2 x height 185 mm
Material specification	Motor unit: Anodised aluminium Floor frame: Powder coated steel (Grey RAL 9006) with adjustable feet Changing table surface: Hygienic moulded plastic Mattress: (WxDxH) 750x710x30 mm. Manufactured from phthalate-free artificial leather. Cover and cold foam certified as per OEKO-TEX standard 100 class 1 Laundry sink: (WxD) 450x380 mm, 120 mm drawer depth
Plumbing connections	Flexible water hoses and drainage hose with water trap
	CE



Art. no.	Designation
333-141	Baby changing table 333 - laundry sink right - 140 cm width - 5 cm border

Functions and benefits

- Moulded changing table 140 cm with mattress and laundry sink on right
- Electrically height adjustable 72 - 112 cm above floor
- Freestanding with adjustable feet
- Easy-to-use programmable table control

Standard equipment

- Mattress
- Programmable table control
- Flexible drainage hose with water trap

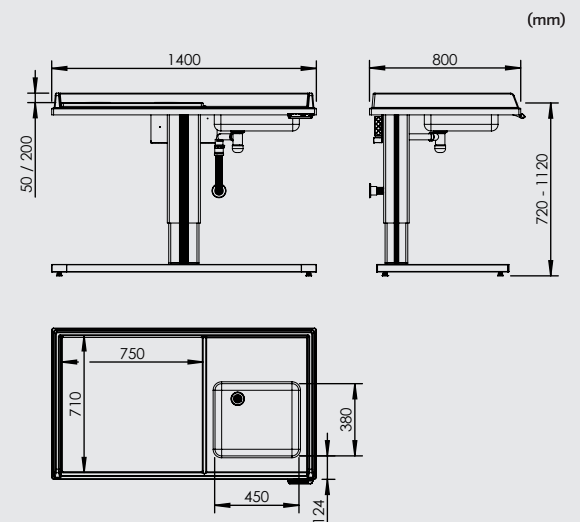
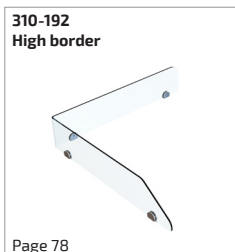
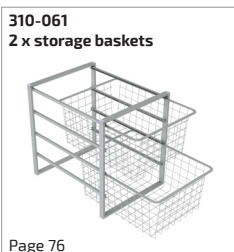
Recommended options

- Mixer with flexible water hoses
- Storage baskets
- Extendable ladder

Specifications

Border height	50 mm
Width	1400 mm
Depth	800 mm
Installation	Freestanding
Operation	Table control programmable in 3 different height positions
Height setting	720 - 1120 mm
Speed	30 mm/sec.
Max. user weight	50 kg
Electrical connection	230 V -50 Hz, Max. 400 VA
Enclosure class	IP20
Material specification	Motor unit: Anodised aluminium Floor frame: Powder coated steel (Grey RAL 9006) with adjustable feet Changing table surface: Hygienic moulded plastic Mattress: (WxDxH) 750x710x30 mm. Manufactured from phthalate-free artificial leather. Cover and cold foam certified as per OEKO-TEX standard 100 class 1 Laundry sink: (WxD) 450x380 mm, 120 mm drawer depth
Plumbing connections	Flexible water hoses and drainage hose with water trap
	CE

Accessories



Baby changing table 334

Wall mounted electrically height adjustable changing table with mattress

- Moulded changing table 80 cm with mattress
- Electrically height adjustable 40 - 112 cm above floor
- Wall mounted to make cleaning easier
- Corded hand control
- Integrated safety switch
- Foldable changing table area



Baby changing table 334 - Standard model Page 32



- Mattress
- Border height 5.0 or 20.0 cm
- Wall mounted

Baby changing table 334 - Combination 1 Page 33



- 1 x changing table with border height 5.0 or 20.0 cm
- Wall mounted changing table
- Washing bench with baskets

Baby changing table 334 - Combination 2 Page 34

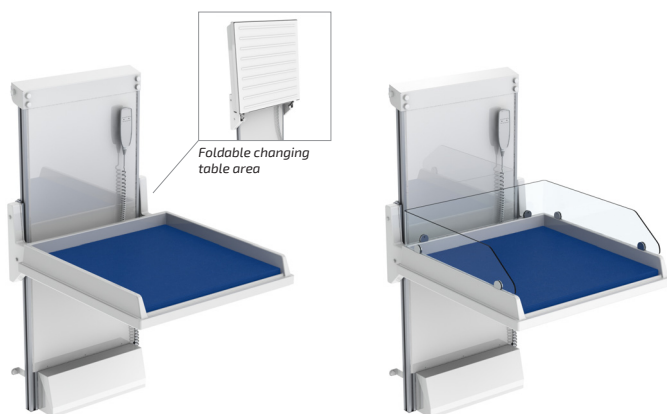


- 2 x changing table with border height 5.0 or 20.0 cm
- Wall mounted changing table
- Washing bench with baskets

Baby changing table 334 - Combination 3 Page 35



- 1 x changing table with border height 5.0 or 20.0 cm
- Wall mounted changing table
- Freestanding changing table with fixed height incl. mattress, laundry sink, extendable ladder and storage baskets



Functions and benefits

- Moulded changing table 80 cm with mattress
- Electrically height adjustable 40 - 112 cm above floor
- Wall mounted to make cleaning easier
- Easy-to-use corded hand control
- Integrated built-in safety switch
- Foldable changing table area (not with high border)

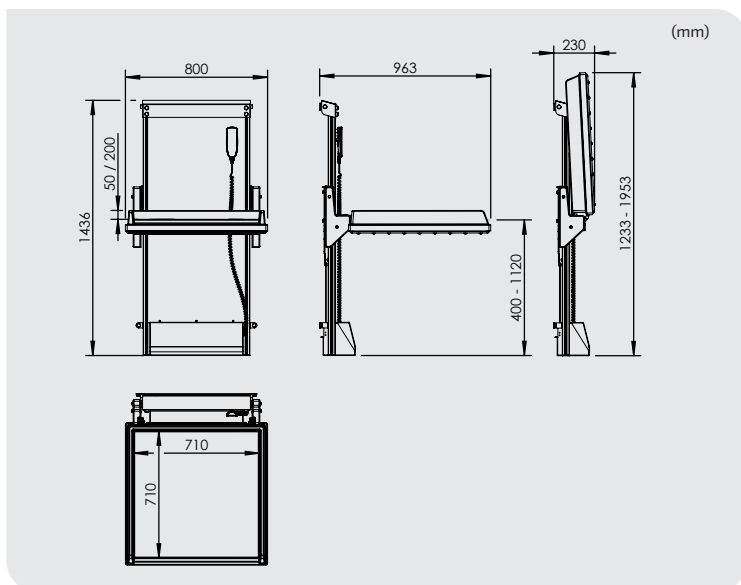
Standard equipment changing table

- Mattress
- Corded hand control

Art. no.	Designation	Art. no.	Designation
334-080	Baby changing table 334 Standard model - 80 cm width - 5 cm border	334-080-1	Baby changing table 334 Standard model - 80 cm width - 20 cm border

Specifications

Border height	50 or 200 mm
Width	800 mm
Depth	965 mm
Installation	Wall mounted changing table
Operation	Corded hand control
Height setting	400 - 1120 mm
Speed	41 mm/sec.
Max. user weight	50 kg
Electrical connection	230 V - 50 Hz, Max. 400 VA
Enclosure class	IPX6
Safety	Integrated safety switch beneath the entire changing table
Material specification	Wall panel: Powder coated steel-plate, white alu. rails Changing table surface: Hygienic moulded plastic Mattress: (WxDxH) 710x710x30 mm. Manufactured from phthalate-free artificial leather. Cover and cold foam certified as per OEKO-TEX standard 100 class 1
	CE





Foldable changing table area



It is also possible to position laundry sink on left and changing table on right.

Functions and benefits

- Moulded changing table 80 cm with mattress
- Electrically height adjustable 40 - 112 cm above floor
- Wall mounted to make cleaning easier
- Easy-to-use corded hand control
- Integrated built-in safety switch
- Foldable changing table area (not with high border)

Standard equipment changing table

- Mattress
- Corded hand control

Standard equipment washing bench

- Mixer, extendable hand shower, flexible water hoses
- 4 x storage baskets
- Cover sides

Art. no.	Designation
334-081-0	Baby changing table 334 - Combination 1 - 147 cm width - Washing bench - 5 cm border - Mixer and hoses



It is also possible to position laundry sink on left and changing table on right.

Art. no.	Designation
334-081-1	Baby changing table 334 - Combination 1 - 147 cm width - Washing bench - 20 cm border - Mixer and hoses

Specifications

Border height	50 or 200 mm
Width	1470 mm
Depth	965 mm
Installation	Wall mounted changing table and Freestanding washing bench
Operation	Corded hand control
Height setting	400 - 1120 mm
Speed	41 mm/sec.
Max. user weight	50 kg
Electrical connection	230 V ~50 Hz, Max. 400 VA
Enclosure class	IPX6
Safety	Integrated safety switch beneath the entire changing table
Storage baskets	Washing bench: (WxD) 527x527 mm, 1 x height 185 mm, 3 x height 85 mm
Material specification	Wall panel: Powder coated steel-plate, white alu. rails Changing table surface: Hygienic moulded plastic Mattress: (WxDxH) 710x710x30 mm. Manufactured from phthalate-free artificial leather. Cover and cold foam certified as per OEKO-TEX standard 100 class 1
	CE



Foldable changing table area

Functions and benefits

- Moulded changing table 80 cm with mattress
- Electrically height adjustable 40 - 112 cm above floor
- Wall mounted to make cleaning easier
- Easy-to-use corded hand control
- Integrated built-in safety switch
- Foldable changing table area (not high border)

Standard equipment changing table

- Mattress
- Corded hand control

Standard equipment washing bench

- Mixer, extendable hand shower, flexible water hoses
- 4 x storage baskets
- Cover sides

Art. no.	Designation
334-082-0	Baby changing table 334 - Combination 2 - 232 cm width - Washing bench - 5 cm border - Mixer and hoses



Art. no.	Designation
334-082-1	Baby changing table 334 - Combination 2 - 232 cm width - Washing bench - 20 cm border - Mixer and hoses

Specifications

Border height	50 or 200 mm
Width	2320 mm
Depth	965 mm
Installation	Wall mounted changing table and Freestanding washing bench
Operation	Corded hand control
Height setting	400 - 1120 mm
Speed	41 mm/sec.
Max. user weight	50 kg
Electrical connection	230 V ~50 Hz, Max. 400 VA
Enclosure class	IPX6
Safety	Integrated safety switch beneath the entire changing table
Storage baskets	Washing bench: (WxD) 527x527 mm, 1 x height 185 mm, 3 x height 85 mm
Material specification	Wall panel: Powder coated steel-plate, white alu. rails Changing table surface: Hygienic moulded plastic Mattress: (WxDxH) 710x710x30 mm. Manufactured from phthalate-free artificial leather. Cover and cold foam certified as per OEKO-TEX standard 100 class 1
	CE



Foldable changing table area

Functions and benefits

- Moulded changing table 80 cm with mattress
- Electrically height adjustable 40 - 112 cm above floor
- Wall mounted to make cleaning easier
- Easy-to-use corded hand control
- Integrated built-in safety switch
- Foldable changing table area (not high border)

Standard equipment changing table

- Mattress
- Corded hand control

Standard equipment changing table with laundry sink

- Mattress and integrated laundry sink
- 8 x storage baskets
- Mixer with extendable hand shower and flexible water hoses
- Flexible drainage hose with water trap
- Extendable ladder

Art. no.	Designation
334-083-0	Baby changing table 334 - Combination 3 - 225 cm width - 5 cm border

- Changing table with laundry sink incl. extendable ladder
- Mixer and hoses



Art. no.	Designation
334-083-1	Baby changing table 334 - Combination 3 - 225 cm width - 20 cm border

- Changing table with laundry sink incl. extendable ladder
- Mixer and hoses

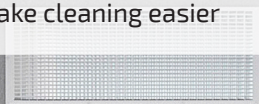
Specifications

Border height	50 or 200 mm
Width	2250 mm
Depth	965 mm
Installation	Wall mounted changing table and Freestanding changing table with laundry sink
Operation	Corded hand control
Height setting	400 - 1120 mm
Speed	41 mm/sec.
Max. user weight	50 kg
Electrical conn.	230 V ~50 Hz, Max. 400 VA
Enclosure class	IPX6
Safety	Safety switch beneath the entire changing table
Storage baskets	Changing table, laundry sink: (WxD) 527x527 mm, 2 x height 185 mm, 6 x height 85 mm
Material specification	Wall panel: Powder coated steel-plate, white alu. rails Changing table surface: Hygienic moulded plastic Mattress: (WxDxH) 710x710x30 mm. Manufactured from phthalate-free artificial leather. Cover and cold foam certified as per OEKO-TEX standard 100 class 1
	CE

Baby changing table 334 - laundry sink

Wall mounted electrically height adjustable changing table with mattress and washing sink

- Moulded changing table 140 cm with mattress and laundry sink
- Electrically height adjustable 39 - 111 cm above floor
- Wall mounted to make cleaning easier
- Corded hand control
- Integrated safety switch
- Equipped with storage baskets







Functions and benefits

- Moulded changing table 140 cm with mattress and laundry sink on right
- Electrically height adjustable 39 - 111 cm above floor
- Wall mounted to make cleaning easier
- Easy-to-use corded hand control
- Integrated built-in safety switch
- Equipped with storage baskets

Standard equipment

- Mattress
- 2 x storage baskets
- Corded hand control
- Mixer with extendable hand shower and flexible water hoses
- Flexible drainage hose with water trap

Specifications

Border height	50 or 200 mm
Width	1400 mm
Depth	905 mm
Operation	Corded hand control
Installation	Wall mounted
Height setting	390 - 1110 mm
Speed	41 mm/sec.
Max. user weight	50 kg
Electrical connection	230 V ~50 Hz, Max. 400 VA
Enclosure class	IPX6
Safety	Integrated safety switch beneath the entire changing table
Storage baskets	(WxD) 327x527 mm, 1 x height 185 mm, 1 x height 85 mm
Material specification	Wall panel: Powder coated steel-plate, white alu. rails Changing table surface: Hygienic moulded plastic Mattress: (WxDxH) 750x710x30 mm. Manufactured from phthalate-free artificial leather. Cover and cold foam certified as per OEKO-TEX standard 100 class 1 Laundry sink: (WxD) 450x380 mm, 120 mm drawer depth
Plumbing connections	Flexible water hoses and drainage hose with water trap
	CE

Art. no.	Designation
334-141-011	Baby changing table 334 - Standard model - laundry sink right - 140 cm width - Storage baskets - Hoses - 5 cm border - Mixer



Art. no.	Designation
334-141-111	Baby changing table 334 - Standard model - laundry sink right - 140 cm width - Storage baskets - Hoses - 20 cm border - Mixer



Functions and benefits

- Moulded changing table 140 cm with mattress and laundry sink on right
- Electrically height adjustable 39 - 111 cm above floor
- Wall mounted to make cleaning easier
- Easy-to-use corded hand control
- Integrated built-in safety switch

Standard equipment

- Mattress
- 2 x storage baskets
- Flexible drainage hose with water trap

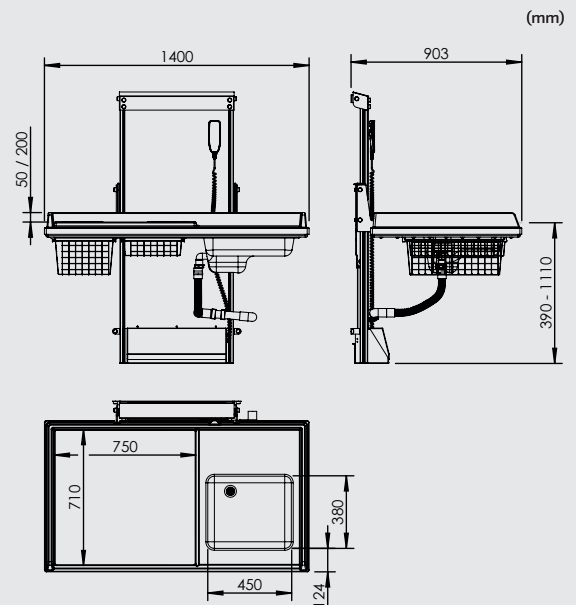
Recommended options

- Mixer with flexible water hoses

Art. no.	Designation
334-141	Baby changing table 334 - laundry sink right - 140 cm width - 5 cm border

Specifications

Border height	50 mm
Width	1400 mm
Depth	905 mm
Operation	Corded hand control
Installation	Wall mounted
Height setting	390 - 1110 mm
Speed	41 mm/sec.
Max. user weight	50 kg
Electrical connection	230 V -50 Hz, Max. 400 VA
Enclosure class	IPX6
Safety	Integrated safety switch beneath the entire changing table
Storage baskets	(WxD) 327x527 mm, 1 x height 185 mm, 1 x height 85 mm
Material specification	Wall panel: Powder coated steel-plate, white alu. rails Changing table surface: Hygienic moulded plastic Mattress: (WxDxH) 750x710x30 mm. Manufactured from phthalate-free artificial leather. Cover and cold foam certified as per OEKO-TEX standard 100 class 1 Laundry sink: (WxD) 450x380 mm, 120 mm drawer depth
Plumbing connections	Flexible water hoses and drainage hose with water trap
	CE



Accessories

310-003
Mixer



Page 76

310-192
High border



Page 78

Baby changing table 335

Wall mounted electrically height adjustable changing table with mattress

- Moulded changing table 80 cm with mattress
- Electrically height adjustable 67 - 107 cm above floor
- Wall mounted to make cleaning easier
- Easy-to-use programmable table control





Baby changing table 335 - Standard model Page 42



- Mattress, extendable ladder and basket section
- Border height 5.0 or 20.0 cm
- Wall mounted

Baby changing table 335 - Combination 1 Page 43



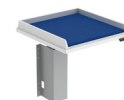
- Mattress, ladder and basket section
- 1 x changing table with border height 5.0 or 20.0 cm
- Wall mounted changing table
- Washing bench with baskets

Baby changing table 335 - Combination 2 Page 44



- Mattress, ladder and basket section
- 2 x changing table with border height 5.0 or 20.0 cm
- Wall mounted changing table
- Washing bench with baskets

Baby changing table 335 - Build your own Page 45



- Mattress
- Border height 5.0 or 20.0 cm
- Wall mounted



Functions and benefits

- Moulded changing table 80 cm with mattress
- Electrically height adjustable 67 - 107 cm above floor
- Wall mounted to make cleaning easier
- Easy-to-use programmable table control

Standard equipment

- Mattress
- 2 x storage baskets
- Extendable ladder
- Programmable table control

Specifications

Border height	50 or 200 mm
Width	800 mm
Depth	800 mm
Installation	Wall mounted
Operation	Table control programmable in 3 different height positions
Height setting	670 - 1070 mm
Speed	30 mm/sec.
Max. user weight	50 kg
Electrical connection	230 V -50 Hz, Max. 400 VA
Enclosure class	IP20
Storage baskets	(WxD) 325x430 mm, 2 x height 185 mm
Material specification	Motor unit: Anodised aluminium Wall bracket: Powder coated sheet-metal (Grey RAL 9006) Changing table surface: Hygienic moulded plastic Mattress: (WxDxH) 710x710x30 mm. Manufactured from phthalate-free artificial leather. Cover and cold foam certified as per OEKO-TEX standard 100 class 1
	CE



Art. no.	Designation
335-080-021	Baby changing table 335 Standard model - 80 cm width - 5 cm border - Extendable ladder on left - Storage baskets on right

Art. no.	Designation
335-080-012	Baby changing table 335 Standard model - 80 cm width - 5 cm border - Extendable ladder on right - Storage baskets on left



Art. no.	Designation
335-080-121	Baby changing table 335 Standard model - 80 cm width - 20 cm border - Extendable ladder on left - Storage baskets on right

Art. no.	Designation
335-080-112	Baby changing table 335 Standard model - 80 cm width - 20 cm border - Extendable ladder on right - Storage baskets on left



Functions and benefits

- Moulded changing table 80 cm with mattress
- Electrically height adjustable 67 - 107 cm above floor
- Wall mounted to make cleaning easier
- Easy-to-use programmable table control



Art. no.	Designation
335-081-01	Baby changing table 335 Combination 1 - 147 cm width - 5 cm border - Extendable ladder on left - Storage baskets on right - Washing bench on right - Mixer and hoses



Art. no.	Designation
335-081-02	Baby changing table 335 Combination 1 - 147 cm width - 5 cm border - Extendable ladder on right - Storage baskets on left - Washing bench on left - Mixer and hoses

Standard equipment changing table

- Mattress
- 2 x storage baskets
- Extendable ladder
- Programmable table control

Standard equipment washing bench

- Mixer, extendable hand shower, flexible water hoses
- 4 x storage baskets
- Cover sides



Art. no.	Designation
335-081-11	Baby changing table 335 Combination 1 - 147 cm width - 20 cm border - Extendable ladder on left - Storage baskets on right - Washing bench on right - Mixer and hoses



Art. no.	Designation
335-081-12	Baby changing table 335 Combination 1 - 147 cm width - 20 cm border - Extendable ladder on right - Storage baskets on left - Washing bench on left - Mixer and hoses

Specifications

Border height	50 or 200 mm
Width	1470 mm
Depth	800 mm
Installation	Wall mounted changing table and Freestanding washing bench
Operation	Table control programmable in 3 different height positions
Height setting	670 - 1070 mm
Speed	30 mm/sec.
Max. user weight	50 kg
Electrical connection	230 V ~50 Hz, Max. 400 VA
Enclosure class	IP20
Storage baskets	Changing table: (WxD) 325x430 mm, 2 x height 185 mm Washing bench: (WxD) 527x527 mm, 1 x height 185 mm, 3 x height 85 mm
Material specification	Motor unit: Anodised aluminium Wall bracket: Powder coated sheet-metal (Grey RAL 9006) Changing table surface: Hygienic moulded plastic Mattress: (WxDxH) 710x710x30 mm. Manufactured from phthalate-free artificial leather. Cover and cold foam certified as per OEKO-TEX standard 100 class 1
	CE



Art. no.	Designation
335-082-03	Baby changing table 335 - Combination 2 - 232 cm width - 5 cm border

- Extendable ladders
- Storage baskets
- Washing bench
- Mixer and hoses



Art. no.	Designation
335-082-13	Baby changing table 335 - Combination 2 - 232 cm width - 20 cm border

- Extendable ladders
- Storage baskets
- Washing bench
- Mixer and hoses

Functions and benefits

- Moulded changing table 80 cm with mattress
- Electrically height adjustable 67 - 107 cm above floor
- Wall mounted to make cleaning easier
- Easy-to-use programmable table control

Standard equipment changing table

- Mattress
- 2 x storage baskets
- Extendable ladder
- Programmable table control

Standard equipment washing bench

- Mixer, extendable hand shower, flexible water hoses
- 4 x storage baskets
- Cover sides

Specifications

Border height	50 or 200 mm
Width	2320 mm
Depth	800 mm
Installation	Wall mounted changing table and Freestanding washing bench
Operation	Table control programmable in 3 different height positions
Height setting	670 - 1070 mm
Speed	30 mm/sec.
Max. user weight	50 kg
Electrical connection	230 V ~50 Hz, Max. 400 VA
Enclosure class	IP20
Storage baskets	Changing table: (WxD) 325x430 mm, 4 x height 185 mm Washing bench: (WxD) 527x527 mm, 1 x height 185 mm, 3 x height 85 mm
Material specification	Motor unit: Anodised aluminium Wall bracket: Powder coated sheet-metal (Grey RAL 9006) Changing table surface: Hygienic moulded plastic Mattress: (WxDxH) 710x710x30 mm. Manufactured from phthalate-free artificial leather. Cover and cold foam certified as per OEKO-TEX standard 100 class 1
	CE



Functions and benefits

- Moulded changing table 80 cm with mattress
- Electrically height adjustable 67 - 107 cm above floor
- Wall mounted to make cleaning easier
- Easy-to-use programmable table control

Standard equipment

- Mattress
- Programmable table control

Recommended options

- Extendable ladder
- Storage baskets

Specifications

Border height	50 mm
Width	800 mm
Depth	800 mm
Installation	Wall mounted
Operation	Table control programmable in 3 different height positions
Height setting	670 - 1070 mm
Speed	30 mm/sec.
Max. user weight	50 kg
Electrical connection	230 V ~50 Hz, Max. 400 VA
Enclosure class	IP20
Material specification	Motor unit: Anodised aluminium Wall bracket: Powder coated sheet-metal (Grey RAL 9006) Changing table surface: Hygienic moulded plastic Mattress: (-WxDxH) 710x710x30 mm. Manufactured from phthalate-free artificial leather. Cover and cold foam certified as per OEKO-TEX standard 100 class 1



Art. no.	Designation
335-080	Baby changing table 335 - 80 cm width - 5 cm border

Accessories

310-040
Extendable ladder

Page 76

310-061
2 x storage baskets

Page 76

310-060
4 x storage baskets

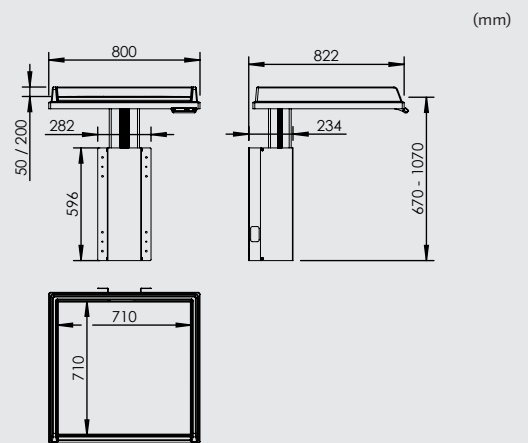
Page 76

310-191
High border

Page 78

328-06-11
Washing bench

Page 64



Baby changing table 335 - laundry sink

Wall mounted electrically height adjustable changing table with mattress and washing sink

- Moulded changing table, 140 cm mattress and laundry sink
- Electrically height adjustable 67 - 107 cm above floor
- Wall mounted to make cleaning easier
- Easy-to-use programmable table control







Functions and benefits

- Moulded changing table 140 cm with mattress and laundry sink
- Electrically height adjustable 67 - 107 cm above floor
- Wall mounted to make cleaning easier
- Easy-to-use programmable table control

Standard equipment

- Mattress
- 2 x storage baskets
- Extendable ladder
- Programmable table control
- Mixer with extendable hand shower and flexible water hoses
- Flexible drainage hose with water trap

Specifications

Border height	50 or 200 mm
Width	1400 mm
Depth	800 mm
Installation	Wall mounted
Operation	Table control programmable in 3 different height positions
Height setting	670 - 1070 mm
Speed	30 mm/sec.
Max. user weight	50 kg
Electrical connection	230 V ~50 Hz, Max. 400 VA
Enclosure class	IP20
Storage baskets	(WxD) 325x430 mm, 2 x height 185 mm
Material specification	Motor unit: Anodised aluminium Wall bracket: Powder coated sheet-metal (Grey RAL 9006) Changing table surface: Hygienic moulded plastic Mattress: (WxDxH) 750x710x30 mm. Manufactured from phthalate-free artificial leather. Cover and cold foam certified as per OEKO-TEX standard 100 class 1 Laundry sink: (WxD) 450x380 mm, 120 mm drawer depth
Plumbing connections	Flexible water hoses and drainage hose with water trap
	CE

Art. no.	Designation
335-141-0211	Baby changing table 335 - Standard model - laundry sink right
	- 140 cm width - Extendable ladder - Mixer
	- 5 cm border - Storage baskets - Hoses



Art. no.	Designation
335-141-1211	Baby changing table 335 - Standard model - laundry sink right
	- 140 cm width - Extendable ladder - Mixer
	- 20 cm border - Storage baskets - Hoses



Functions and benefits

- Moulded changing table 140 cm with mattress and laundry sink on right
- Electrically height adjustable 67 - 107 cm above floor
- Wall mounted to make cleaning easier
- Easy-to-use programmable table control

Standard equipment

- Mattress
- Programmable table control
- Flexible drainage hose with water trap

Recommended options

- Mixer with flexible water hoses
- Storage baskets
- Extendable ladder

Specifications

Border height	50 mm
Width	1400 mm
Depth	800 mm
Installation	Wall mounted
Operation	Table control programmable in 3 different height positions
Height setting	670 - 1070 mm
Speed	30 mm/sec.
Max. user weight	50 kg
Electrical connection	230 V ~50 Hz, Max. 400 VA
Enclosure class	IP20
Material specification	Motor unit: Anodised aluminium Wall bracket: Powder coated sheet-metal (Grey RAL 9006) Changing table surface: Hygienic moulded plastic Mattress: (WxDxH) 750x710x30 mm. Manufactured from phthalate-free artificial leather. Cover and cold foam certified as per OEKO-TEX standard 100 class 1 Laundry sink: (WxD) 450x380 mm, 120 mm drawer depth
Plumbing connections	Flexible water hoses and drainage hose with water trap
	CE

Art. no.	Designation
335-141	Baby changing table 335 - laundry sink right - 140 cm width - 5 cm border

Accessories

310-003
Mixer

Page 76

310-040
Extendable ladder

Page 76

310-060
4 x storage baskets

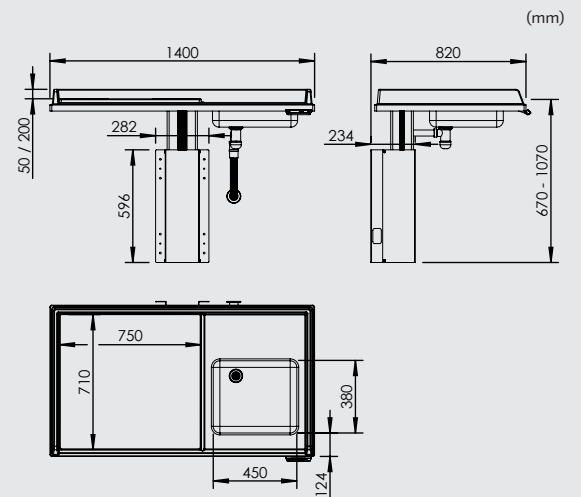
Page 76

310-061
2 x storage baskets

Page 76

310-192
High border

Page 78



Product overview

Changing tables with fixed working height

Baby changing table 327

Page 52

- Moulded changing table 80 cm with mattress
- Fixed working height 95 cm above floor
- Freestanding with adjustable feet
- Storage baskets
- Can be equipped with ladder



Baby changing table 327 - laundry sink

Page 58

- Moulded changing table 140 cm with mattress and laundry sink
- Fixed working height 95 cm above floor
- Freestanding with adjustable feet
- Storage baskets
- Can be equipped with ladder



Washing bench 328

Page 62

- Bench level in stainless steel with laundry sink
- Fixed working height 92 cm above floor
- Freestanding with adjustable feet
- Storage baskets



Baby changing table 327

Freestanding changing table with mattress, fixed working height

- Moulded changing table 80 cm with mattress
- Fixed working height 92 cm above floor
- Freestanding with adjustable feet
- Storage baskets
- Can be equipped with ladder



Baby changing table 327 - Standard model Page 56



- Mattress, extendable ladder and storage baskets
- Border height 5.0 or 20.0 cm
- Freestanding

Baby changing table 327 - Combination 1 Page 57



- Mattress, ladder and storage baskets
- 1 x changing table with border height 5.0 or 20.0 cm
- Freestanding changing table
- Washing bench with baskets

Baby changing table 327 - Combination 2 Page 58



- Mattress, ladder and storage baskets
- 2 x changing table with border height 5.0 or 20.0 cm
- Freestanding changing table
- Washing bench with baskets

Baby changing table 327 - Build your own Page 59



- Mattress
- Border height 5.0 or 20.0 cm
- Freestanding



Art. no.	Designation
327-080-01	Baby changing table 327 - Standard model - 80 cm width - Extendable ladder - 5 cm border - Storage baskets



Art. no.	Designation
327-080-11	Baby changing table 327 - Standard model - 80 cm width - Extendable ladder - 20 cm border - Storage baskets

Functions and benefits

- Moulded changing table 80 cm with mattress
- Fixed working height 92 cm above floor
- Freestanding with adjustable feet

Standard equipment

- Mattress
- Extendable ladder
- 4 x storage baskets

Specifications

Border height	50 or 200 mm
Width	800 mm
Depth	800 mm
Installation	Freestanding
Working height	920 mm
Max. user weight	50 kg
Storage baskets	(WxD) 527x527 mm, 1 x height 185 mm, 3 x height 85 mm
Material specification	Stand: Anodised Aluminium with adjustable feet Changing table surface: Hygienic moulded plastic Mattress: (WxDxH) 710x710x30 mm. Manufactured from phthalate-free artificial leather. Cover and cold foam certified as per OEKO-TEX standard 100 class 1
	CE



It is also possible to position laundry sink on left and changing table on right.

Functions and benefits

- Moulded changing table 80 cm with mattress
- Fixed working height 92 cm above floor
- Freestanding with adjustable feet

Standard equipment changing table

- Mattress
- 4 x storage baskets
- Extendable ladder

Standard equipment washing bench

- Mixer, extendable hand shower, flexible water hoses
- 4 x storage baskets
- Cover sides

Art. no.	Designation
327-081-0	Baby changing table 327 - Combination 1 - 147 cm width - 5 cm border

- Extendable ladder
- Storage baskets
- Washing bench
- Mixer and hoses



It is also possible to position laundry sink on left and changing table on right.

Art. no.	Designation
327-081-1	Baby changing table 327 - Combination 1 - 147 cm width - 20 cm border

- Extendable ladder
- Storage baskets
- Washing bench
- Mixer and hoses

Specifications

Border height	50 or 200 mm
Width	1470 mm
Depth	800 mm
Installation	Freestanding changing table and washing bench
Working height	920 mm
Max. user weight	50 kg
Storage baskets	Changing table: (WxD) 527x527 mm, 1 x height 185 mm, 3 x height 85 mm Washing bench: (WxD) 527x527 mm, 1 x height 185 mm, 3 x height 85 mm
Material specification	Stand: Anodised Aluminium with adjustable feet Changing table surface: Hygienic moulded plastic Mattress: (WxDxH) 710x710x30 mm. Manufactured from phthalate-free artificial leather. Cover and cold foam certified as per OEKO-TEX standard 100 class 1
	CE



Art. no.	Designation
327-082-0	Baby changing table 327 - Combination 2 - 232 cm width - 5 cm border - Extendable ladders - Storage baskets - Washing bench - Mixer and hoses



Art. no.	Designation
327-082-1	Baby changing table 327 - Combination 2 - 232 cm width - 20 cm border - Extendable ladders - Storage baskets - Washing bench - Mixer and hoses

Functions and benefits

- Moulded changing table 80 cm with mattress
- Fixed working height 92 cm above floor
- Freestanding with adjustable feet

Standard equipment changing table

- Mattress
- 8 x storage baskets
- Extendable ladder

Standard equipment washing bench

- Mixer, extendable hand shower, flexible water hoses
- 4 x storage baskets
- Cover sides

Specifications

Border height	50 or 200 mm
Width	2320 mm
Depth	800 mm
Installation	Freestanding changing table and washing bench
Working height	920 mm
Max. user weight	50 kg
Storage baskets	Changing table: (WxD) 527x527 mm, 2 x height 185 mm, 6 x height 85 mm Washing bench: (WxD) 527x527 mm, 1 x height 185 mm, 3 x height 85 mm
Material specification	Stand: Anodised Aluminium with adjustable feet Changing table surface: Hygienic moulded plastic Mattress: (WxDxH) 710x710x30 mm. Manufactured from phthalate-free artificial leather. Cover and cold foam certified as per OEKO-TEX standard 100 class 1
	CE



Functions and benefits

- Moulded changing table 80 cm with mattress
- Fixed working height 92 cm above floor
- Freestanding with adjustable feet

Standard equipment

- Mattress
- 5 x storage baskets

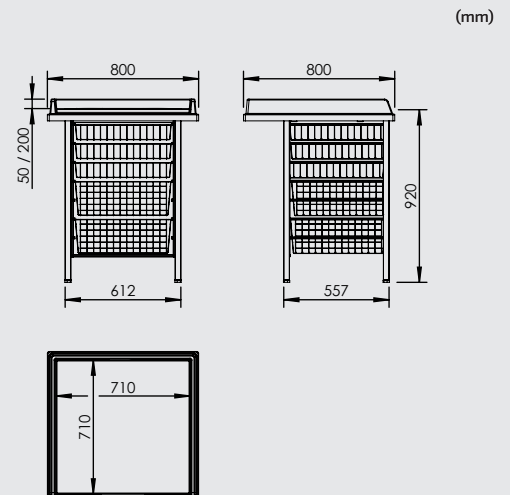
Recommended options

- Extendable ladder

Specifications

Border height	50 mm
Width	800 mm
Depth	800 mm
Installation	Freestanding
Working height	920 mm
Max. user weight	50 kg
Storage baskets	(WxD) 527x527 mm, 2 x height 185 mm, 3 x height 85 mm
Material specification	Stand: Anodised Aluminium with adjustable feet Changing table surface: Hygienic moulded plastic Mattress: (WxDxH) 710x710x30 mm. Manufactured from phthalate-free artificial leather. Cover and cold foam certified as per OEKO-TEX standard 100 class 1
	CE

Art. no.	Designation
327-080	Baby changing table 327 - 80 cm width - 5 cm border



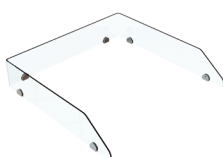
Accessories

310-040
Extendable ladder



Page 76

310-191
High border



Page 78

328-06-11
Washing bench

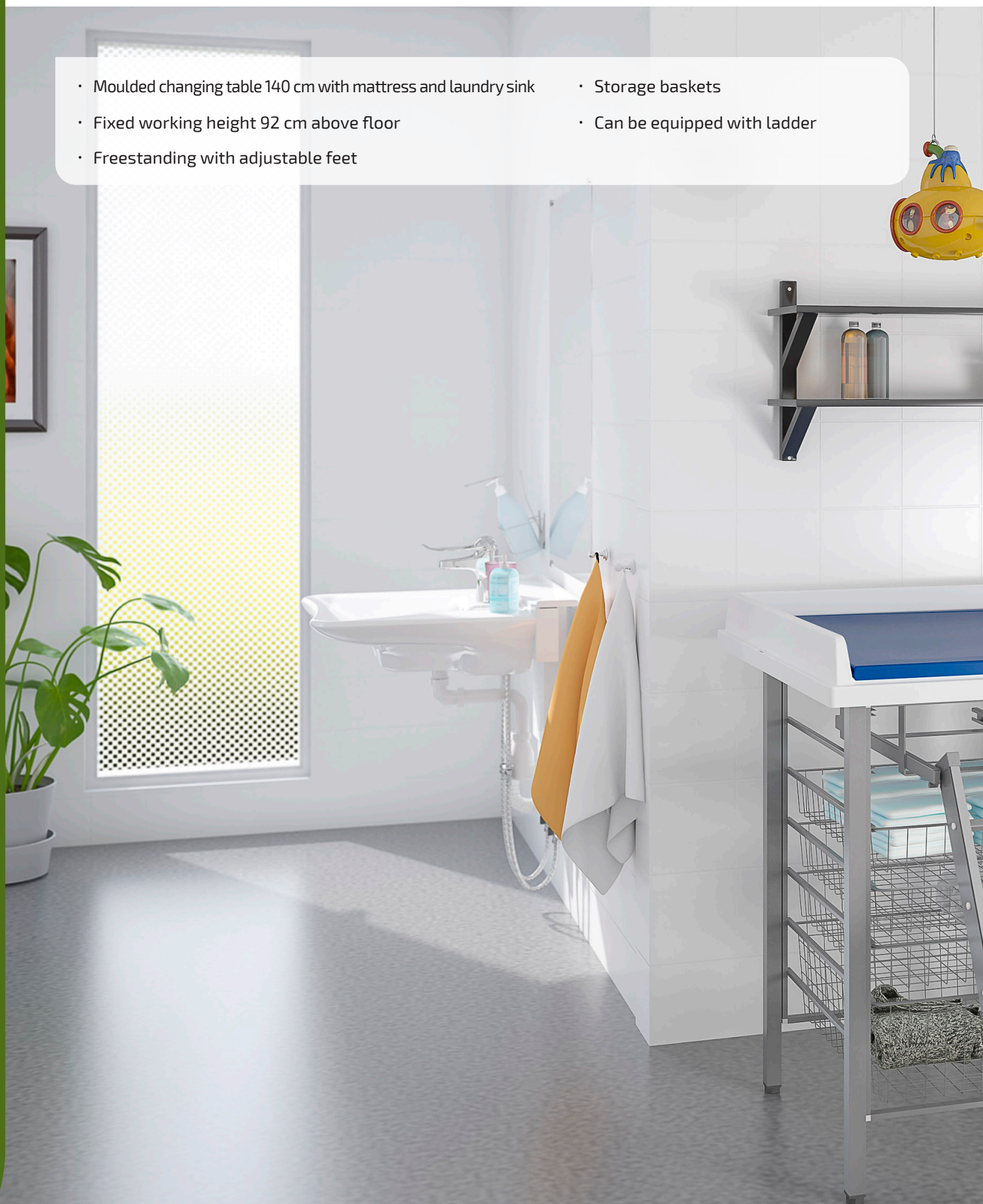


Page 64

Baby changing table 327 - laundry sink

Freestanding changing table with mattress and laundry sink, fixed working height

- Moulded changing table 140 cm with mattress and laundry sink
- Fixed working height 92 cm above floor
- Freestanding with adjustable feet
- Storage baskets
- Can be equipped with ladder







Functions and benefits

- Moulded changing table 140 cm with mattress and laundry sink on right
- Fixed working height 92 cm above floor
- Freestanding with adjustable feet

Standard equipment

- Mattress
- 8 x storage baskets
- Extendable ladder
- Mixer with extendable hand shower and flexible water hoses
- Flexible drainage hose with water trap

Art. no.	Designation
327-141-021	Baby changing table 327 - Standard model - laundry sink right
	- 140 cm width - Extendable ladder - Hoses
	- 5 cm border - Mixer



Art. no.	Designation
327-141-121	Baby changing table 327 - Standard model - laundry sink right
	- 140 cm width - Extendable ladder - Hoses
	- 20 cm border - Mixer

Specifications

Border height	50 or 200 mm
Width	1400 mm
Depth	800 mm
Installation	Freestanding
Working height	920 mm
Max. user weight	50 kg
Storage baskets	(WxD) 527x527 mm, 2 x height 185 mm, 6 x height 85 mm
Material specification	Stand: Anodised Aluminium with adjustable feet Changing table surface: Hygienic moulded plastic Mattress: (WxDxH) 750x710x30 mm. Manufactured from phthalate-free artificial leather. Cover and cold foam certified as per OEKO-TEX standard 100 class 1 Laundry sink: (WxD) 450x380 mm, 120 mm drawer depth
Plumbing connections	Flexible water hoses and drainage hose with water trap
	CE



Functions and benefits

- Moulded changing table 140 cm with mattress and laundry sink on right
- Fixed working height 92 cm above floor
- Freestanding with adjustable feet

Standard equipment

- Mattress
- 9 x storage baskets
- Flexible drainage hose with water trap

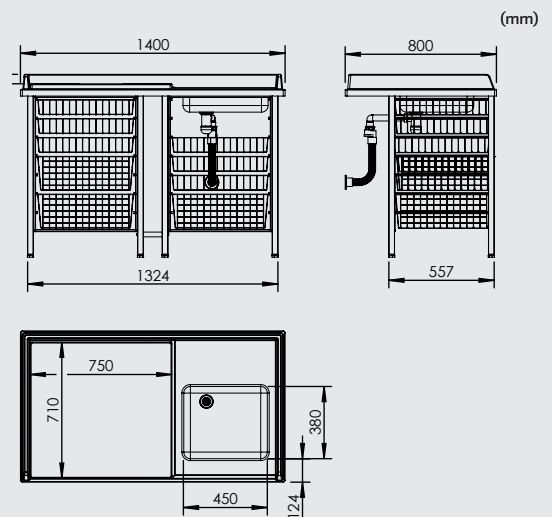
Recommended options

- Mixer with flexible water hoses
- Extendable ladder

Art. no.	Designation
327-141	Baby changing table 327 - laundry sink right - 140 cm width - 5 cm border

Specifications

Border height	50 mm
Width	1400 mm
Depth	800 mm
Installation	Freestanding
Working height	920 mm
Max. user weight	50 kg
Storage baskets	(WxD) 527x527 mm, 3 x height 185 mm, 6 x height 85 mm
Material specification	Stand: Anodised Aluminium with adjustable feet Changing table surface: Hygienic moulded plastic Mattress: (WxDxH) 750x710x30 mm. Manufactured from phthalate-free artificial leather. Cover and cold foam certified as per OEKO-TEX standard 100 class 1 Laundry sink: (WxD) 450x380 mm, 120 mm drawer depth
Plumbing connections	Flexible water hoses and drainage hose with water trap CE



Accessories

310-003 Mixer

Page 76

310-040 Extendable ladder

Page 76

310-192 High border

Page 78

Washing bench 328

Freestanding washing bench, fixed working height



- Bench level in stainless steel with laundry sink
- Fixed working height 92 cm above floor
- Freestanding with adjustable feet
- Storage baskets

Standard model

Washing bench 328



Functions and benefits

- Bench level in stainless steel with laundry sink
- Fixed working height 92 cm above floor
- Freestanding with adjustable feet

Standard equipment

- 4 x storage baskets
- Flexible drainage hose with water trap
- Mixer with extendable hand shower and flexible water hoses
- Cover sides

Specifications

Width	620 mm
Depth	800 mm
Installation	Freestanding
Working height	920 mm
Storage baskets	(WxD) 527x527 mm, 1 x height 185 mm, 3 x height 85 mm
Material specification	Stand: Anodised Aluminium Bench level: Stainless steel Cover sides: White plastic Laundry sink: (WxD) 400x340 mm, 180 mm drawer depth
Plumbing connections	Flexible water hoses and drainage hose with water trap
	CE

Art. no.	Designation
328-06-11	Washing bench 328 - Washing bench - Standard model
	- 62 cm width
	- Mixer
	- Cover sides
	- Hoses



Functions and benefits

- Bench level in stainless steel with laundry sink
- Fixed working height 92 cm above floor
- Freestanding with adjustable feet

Standard equipment

- 4 x storage baskets
- Flexible drainage hose with water trap

Recommended options

- Mixer with flexible water hoses
- Cover sides

Specifications

Width	620 mm
Depth	800 mm
Installation	Freestanding
Working height	920 mm
Storage baskets	(WxD) 527x527 mm, 1 x height 185 mm, 3 x height 85 mm
Material specification	Stand: Anodised Aluminium with adjustable feet Bench level: Stainless steel Laundry sink: (WxD) 400x340 mm, 180 mm drawer depth
Plumbing connections	Flexible water hoses and drainage hose with water trap
	CE

Art. no.	Designation
328-06	Washing bench 328 - Washing bench - 62 cm width

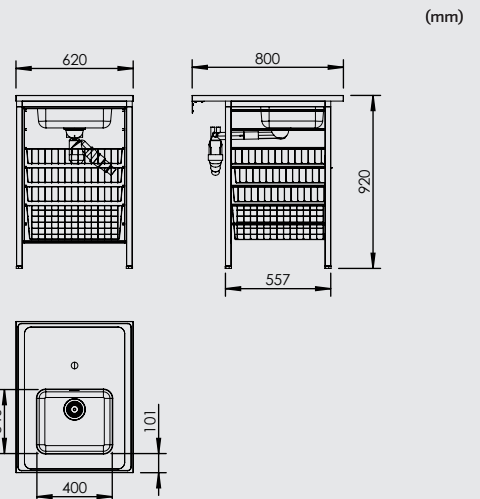
Accessories

310-003 Mixer

Page 76

310-180 Cover sides

Page 78



Product overview

Height adjustable nursing tables

Baby changing table 343

Page 66

- Changing table of Dupont™ Corian® with mattress
- Electrically height adjustable 75 - 115 cm above floor
- Easy-to-use table control
- Electronic components approved according to EN 60601-1 for medical electrical equipment



Baby changing table 343 - bathtub

Page 68

- Changing table of Dupont™ Corian® 140 cm with mattress and bathtub
- Electrically height adjustable 75 - 115 cm above floor
- Freestanding with adjustable feet
- Easy-to-use table control
- Electronic components approved according to EN 60601-1 for medical electrical equipment



Nursing bench 345

Page 70

- Nursing bench in laminate with mattress
- Electrically height adjustable 56.7 - 96.7 cm above floor
- Freestanding on castors
- Easy-to-use hand control
- Folding gates
- Electronic components approved according to EN 60601-1 for medical electrical equipment



Shower trolley 346

Page 72

- Shower trolley in compact laminate with shower mattress and drainage hose
- Electrically height adjustable 56.7 - 96.7 cm above floor
- Freestanding on castors
- Easy-to-use hand control
- Folding gates
- Electronic components approved according to EN 60601-1 for medical electrical equipment



Baby changing table 343

Freestanding electrically height adjustable changing table with mattress

- Changing table of Dupont™ Corian® with mattress
- Electronically height adjustable from 75 - 115 cm
- Easy-to-use table control
- Electronic components approved according to EN 60601-1 for medical electrical equipment





Art. no.	Designation
343-06	Baby changing table 343 - 60 cm width - 7 cm border - 57.6 cm mattress



Art. no.	Designation
343-08	Baby changing table 343 - 80 cm width - 7 cm border - 57.6 cm mattress - 20 cm shelf



Art. no.	Designation
343-10	Baby changing table 343 - 100 cm width - 7 cm border - 57.6 cm mattress - 40 cm shelf



Art. no.	Designation
343-12	Baby changing table 343 - 120 cm width - 7 cm border - 57.6 cm mattress - 60 cm shelf



Art. no.	Designation
343-14	Baby changing table 343 - 140 cm width - 7 cm border - 57.6 cm mattress - 80 cm shelf

Functions and benefits

- Changing table of seamless Dupont™ Corian® with mattress
- Electrically height adjustable 75 - 115 cm above floor
- Freestanding with adjustable feet
- Easy-to-use table control
- Electronic components approved according to EN 60601-1 for medical electrical equipment
- Can be customised in other dimensions and colours

Standard equipment

- Mattress (removable)
- Table control

Recommended options

- Storage baskets

Specifications

Border height	70 mm
Width	600 / 800 / 1000 / 1200 / 1400 mm (can also be customised)
Depth	700 mm (can also be customised)
Operation	Table control
Installation	Freestanding
Height setting	750 - 1150 mm
Speed	18 mm/sec.
Max. user weight	50 kg
Electrical connection	230 V -50 Hz, Max. 400 VA
Enclosure class	IPX6
Material specification	Changing table: White seamless Dupont™ Corian® Floor frame: Powder coated steel (Grey RAL 9006) with adjustable feet Electronics: Components approved according to EN 60601-1 for medical electrical equipment Mattress: (WxDxH) 576x676x30 mm. Manufactured from phthalate-free artificial leather. Cover and cold foam certified as per OEKO-TEX standard 100 class 1



Accessories

310-060
4 x storage baskets

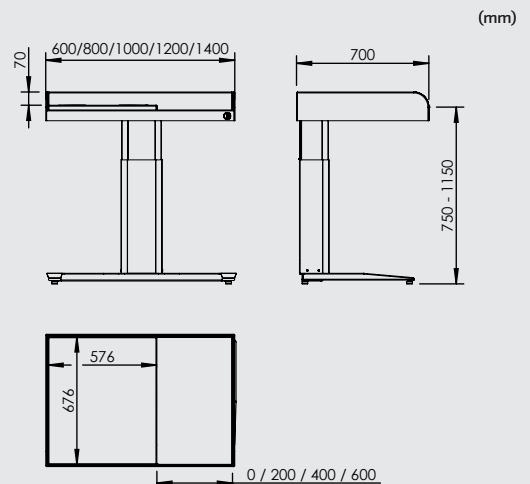


Page 76

310-061
2 x storage baskets



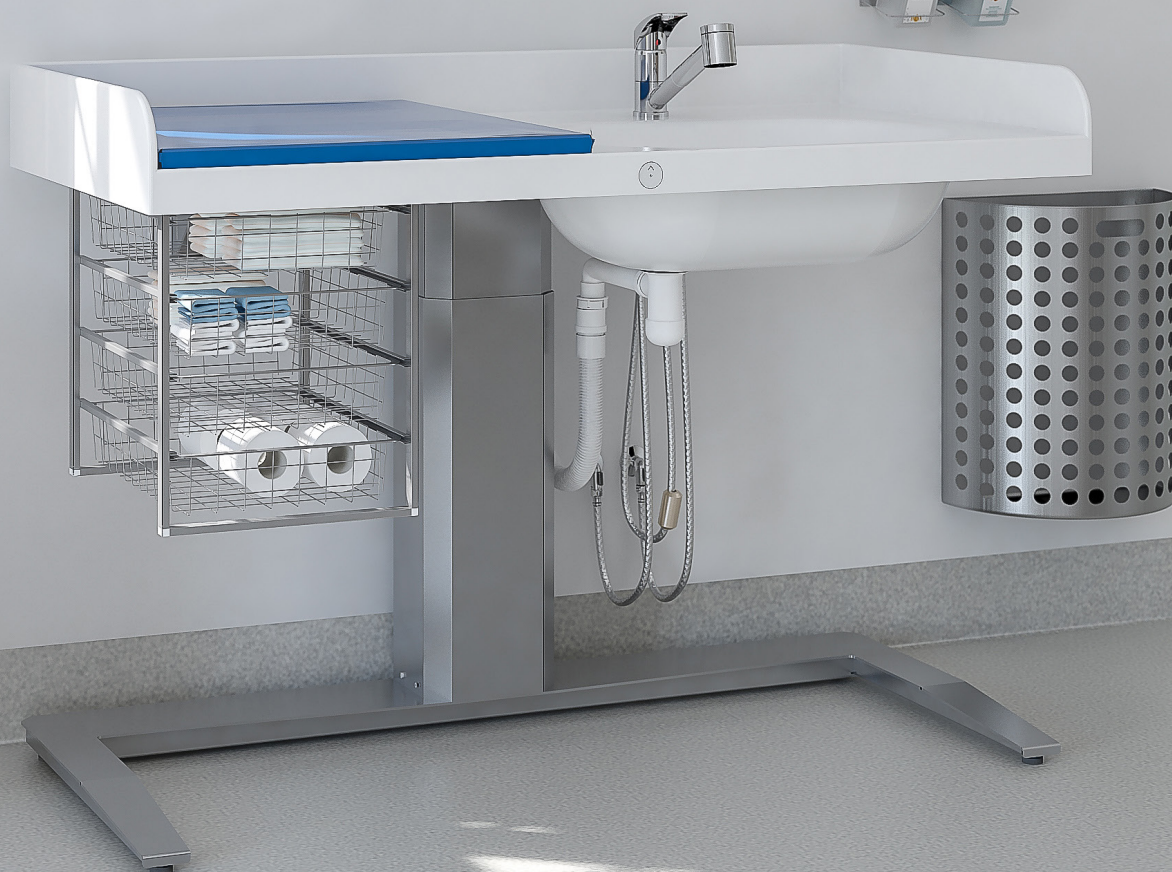
Page 76



Baby changing table 343 - bathtub

Freestanding electrically height adjustable changing table with mattress and bathtub

- Changing table of Dupont™ Corian® 140 cm with mattress and bathtub
- Electrically height adjustable 75 - 115 cm above floor
- Freestanding with adjustable feet
- Electronic components approved according to EN 60601-1 for medical electrical equipment
- Easy-to-use table control





Functions and benefits

- Changing table of seamless Dupont™ Corian® with mattress and bathtub
- Electrically height adjustable 75 - 115 cm above floor
- Freestanding with adjustable feet
- Easy-to-use table control
- Electronic components approved according to EN 60601-1 for medical electrical equipment

Standard equipment

- Mattress
- Table control
- Flexible drainage hose with water trap

Recommended options

- Mixer with flexible water hoses
- Storage baskets

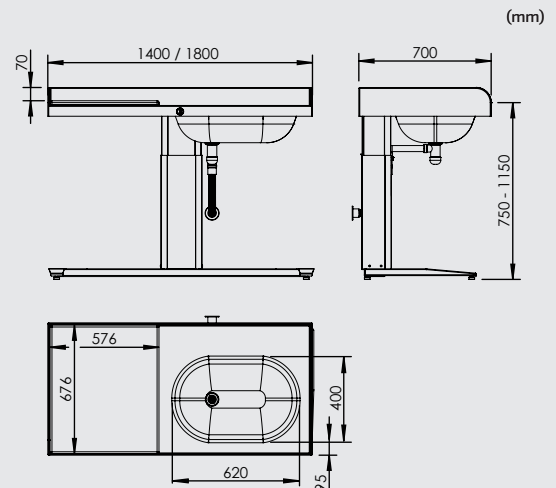
Specifications

Border height	70 mm
Width	1400 mm (can also be customised)
Depth	700 mm (can also be customised)
Operation	Table control
Installation	Freestanding
Height setting	750 - 1150 mm
Speed	18 mm/sec.
Max. user weight	50 kg
Electrical connection	230 V -50 Hz, Max. 400 VA
Enclosure class	IPX6
Material specification	Changing table: White seamless Dupont™ Corian® Floor frame: Powder coated steel (Grey RAL 9006) with adjustable feet Electronics: Components approved according to EN 60601-1 for medical electrical equipment Mattress: (WxDxH) 576x676x30 mm. Manufactured from phthalate-free artificial leather. Cover and cold foam certified as per OEKO-TEX standard 100 class 1 Bathtub: (WxD) 620x400 mm, 160 mm drawer depth Pop-up valve
Plumbing connections	Flexible water hoses and drainage hose with water trap
	CE

Art. no.	Designation
343-141	Baby changing table 343 - Standard model - bathtub right - 140 cm width - Changing table upper part of white Dupont™ Corian® - 7 cm border
343-181	Baby changing table 343 - Standard model - bathtub right - 180 cm width - Changing table upper part of white Dupont™ Corian® - 7 cm border



Art. no.	Designation
343-142	Baby changing table 343 - Standard model- bathtub left - 140 cm width - Changing table upper part of white Dupont™ Corian® - 7 cm border
343-182	Baby changing table 343 - Standard model- bathtub left - 180 cm width - Changing table upper part of white Dupont™ Corian® - 7 cm border



Accessories

310-003 Mixer

Page 76

310-060 4 x storage baskets

Page 76

310-061 2 x storage baskets

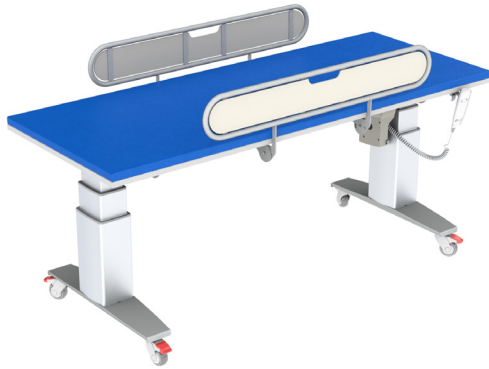
Page 76

Nursing bench 345

Freestanding electrically height adjustable nursing bench with mattress and folding gates

- Nursing bench in laminate with mattress
- Freestanding on castors
- Electrically height adjustable 57 - 97 cm above floor
- Easy-to-use corded hand control
- Folding gates
- Electronic components approved according to EN 60601-1 for medical electrical equipment





Functions and benefits

- Stable construction
- Free space for person lifts beneath the nursing bench
- Nursing bench in laminate with mattress
- Electrically height adjustable 57 - 97 cm above floor
- Freestanding with lockable castors
- Easy-to-use hand control with flexible cable
- Folding gates
- Electronic components approved according to EN 60601-1 for medical electrical equipment

Art. no.	Designation
345-14	Nursing bench 345 - 140 cm width
345-18	Nursing bench 345 - 180 cm width

Standard equipment

- Mattress
- Hand control with flexible cable
- Folding gates with locking function
- Battery operation

Recommended options

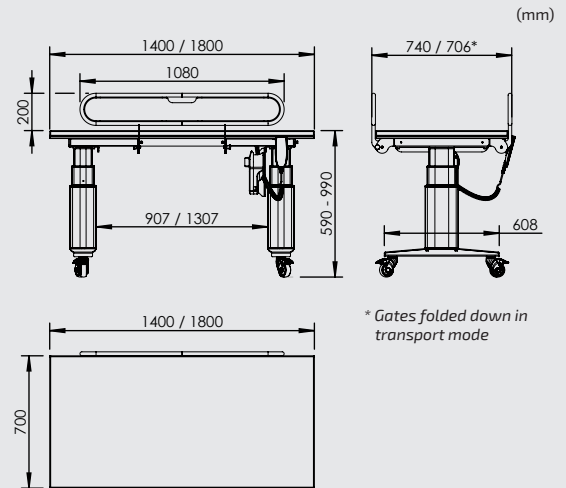
- Border protection
- Pillow



Art. no.	Designation
345-14-1	Nursing bench 345 - 140 cm width - incl. end gates
345-18-1	Nursing bench 345 - 180 cm width - incl. end gates

Specifications

Border height	200 mm
Width	1400 / 1800 mm
Depth	700 mm
Operation	Corded hand control
Installation	Freestanding
Height setting	570 - 970 mm
Speed	18 mm/sec.
Max. user weight	200 kg
Electrical connection	230 V -50 Hz, Max. 400 VA
Enclosure class	IPX6 (Battery box IPX5)
Battery box	Continuous connection to power supply is not needed with battery operation. The battery box is installed between control box and power point. Enclosure class: IPX5 Capacity: 1.3 Ah 24V Size: (WxDxH) 106x138x68 mm
Material specification	Nursing bench panel: 12 mm white compact laminate with black core Metal parts: Powder coated stainless steel - Grey Electronics: Components approved according to EN 60601-1 for medical electrical equipment Mattress: (WxDxH) 1400/1800x700x30 mm. All-welded with sealed surface



Accessories

310-137
Border protection, end
310-138
Border protection, long side

Page 77

310-139
Pillow

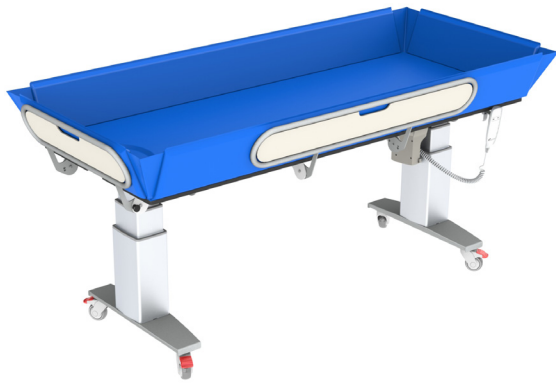
Page 77

Shower trolley 346

Height adjustable shower trolley with mattress

- Shower trolley in compact laminate with shower mattress and drainage hose
- The surface can be angled for water drainage
- Electrically height adjustable 57 - 97 cm above floor
- Freestanding on castors
- Electronic components approved according to EN 60601-1 for medical electrical equipment
- Folding gates
- Easy-to-use hand control





Functions and benefits

- Stable construction
- Free space for person lifts beneath the shower trolley
- Shower trolley panel in compact laminate with mattress
- The surface can be angled for water drainage
- Electrically height adjustable 57 - 97 cm above floor
- Freestanding with lockable castors
- Easy-to-use hand control with flexible cable
- Folding gates
- Electronic components approved according to EN 60601-1 for medical electrical equipment

Standard equipment

- Mattress
- Hand control with flexible cable
- Folding gates with locking function
- Drainage hose
- Battery operation

Recommended options

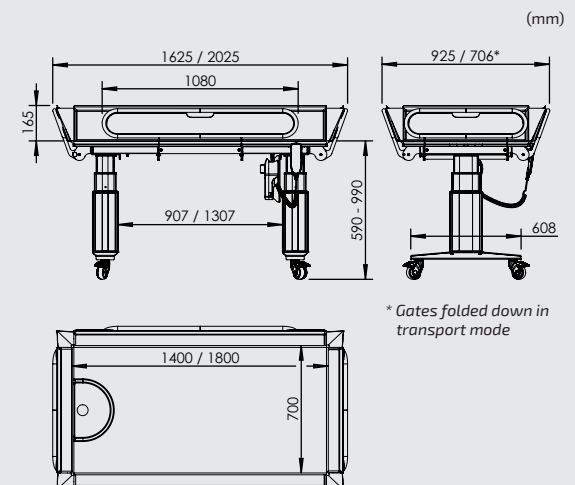
- Pillow

Art. no.	Designation
346-14	Shower trolley 346 - Shower trolley - 140 cm width
346-18	Shower trolley 346 - Shower trolley - 180 cm width

Specifications

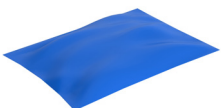
Border height	200 mm
Width	1400 / 1800 mm
Depth	700 mm
Operation	Corded hand control
Installation	Freestanding
Height setting	570 - 970 mm
Speed	18 mm/sec.
Max. user weight	200 kg
Electrical connection	230 V ~50 Hz, Max. 400 VA
Enclosure class	IPX6 (Battery box IPX5)
Battery box	Continuous connection to power supply is not needed with battery operation. The battery box is installed between control box and power point. Capacity: 1.3 Ah 24V Size: (WxDxH) 106x138x68 mm
Drainage connection	Flexible hose, length 1200 mm. Exterior diameter 46 mm
Material specification	Shower trolley panel: 12 mm white compact laminate with black core Metal parts: Powder coated stainless steel - Grey Electronics: Components approved according to EN 60601-1 for medical electrical equipment Mattress: (WxDxH) 1400/1800x700x30 mm. All-welded with sealed surface

CE


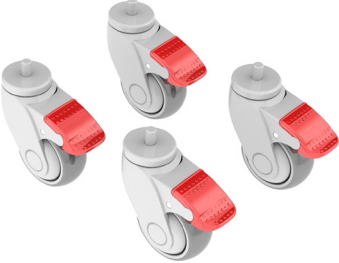



Accessories

310-139
Pillow



Accessories

		Art. no.
	<p>Changing table mixer with extendable hand shower</p> <p>Mixer with extendable hand shower and pivoting spout. Hand shower with 115.0 cm extendable hose.</p> <p>Flexible connection hoses, length 120 cm. Connection: Smooth end, 10 mm no nut.</p>	<p>310-003</p>
	<p>Castor kit for changing table</p> <p>The adjustable feet can be replaced with lockable castors in order to facilitate moving.</p> <p>Castor diameter: 75 mm Overall height: 100 mm</p> <p>Fits baby changing table 332, 333, 343, nursing bench 345 and shower trolley 346</p>	<p>310-035</p>
	<p>Extendable ladder for changing table</p> <p>Using the ladder minimises heavy lifting as the children can climb up to the surface of the changing table. When the ladder is not in use, it is simple to push it underneath the changing table are.</p> <p>Material: Aluminium Size pushed in: (WxDxH) 355 x 435 x 420 mm</p>	<p>Ladder which fits baby changing table 332, 333, 335 310-040</p> <p>Ladder which fits baby changing table 327 310-041</p> <p>Ladder for assembly beneath individual panel 310-042</p>



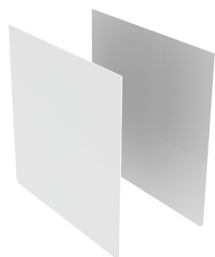
Basket section

The wire baskets are easily available beneath the changing table area. Choose between two high baskets or four low baskets.

Size, baskets: (WxD) 325 x 430 mm
 Height, baskets: 185 mm (high), 85 mm (low)
 External dimensions, stand: (WxDxH) 355 x 435 x 420 mm
 Colour: Grey

Fits baby changing table 332, 333, 335, 343

Wire baskets, with four low baskets	310-060
Wire baskets, with two high baskets	310-061

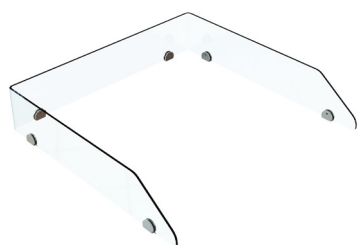


Cover sides for washing bench 328

Cover sides which produce a smooth side. Minimise the risk of crushing when the washing bench is placed beside height adjustable changing table.

Material: White plastic

310-180



High border for changing table in moulded plastic - 80 cm

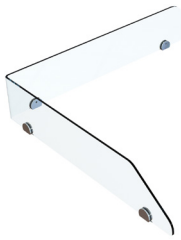


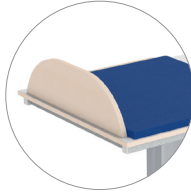


The border is made of 6 mm Plexiglass.

Height: 150 mm (200 mm above the mattress)

Fits baby changing table 327, 333, 334, 335 in width 80 cm

310-191

Accessoires

		Art. no.
		<p>High border for changing table in moulded plastic - 140 cm</p>
		<p>The border is made of 6 mm Plexiglass.</p>
		<p>Height: 150 mm (200 mm above the mattress)</p>
		<p>Fits baby changing table 327, 333, 334, 335 in width 140 cm</p>
		<p>310-192</p>
		<p>High border for baby changing table 332</p>
		<p>The border is made of border-glued birch, thickness 20 mm.</p>
		<p>Height: 230 mm (200 mm above the mattress)</p>
		<p>Fits baby changing table 332</p>
		<p>310-193</p>
		<p>Folding gate end to nursing bench 345</p>
		<p>The gate has a mechanism which locks the position in open or closed position.</p>
		<p>Width: 680 mm</p>
		<p>Height: 190 mm</p>
		<p>310-150</p>



Folding gate long side to nursing bench 345

The gate has a mechanism which locks the position in open or closed position.

Width: 1080 mm

Height: 190 mm

310-151



Phthalate-free mattresses

Manufactured from phthalate-free artificial leather. Cover and cold foam certified as per OEKO-TEX standard 100 class 1.
Thickness: 30 mm

Mattresses to 332, 333, 333, 334, 335

530x750 mm - Suits 332 - 62 cm bredd

310-210

710x710 mm - Suits 333, 334, 335 - 80 cm bredd

310-212

710x750 mm - Suits 332 - 80+140 cm bredd och 333, 334, 335 - 140 cm bredd

310-213

910x750 mm - Suits 332 - 100 cm bredd

310-214

1110x750 mm - Suits 332 - 120 cm bredd

310-215

Mattresses to 343

576x676 mm - Suits 343 - 60 cm bredd

310-220

776x676 mm - Suits 343 - 80 cm bredd

310-221

976x676 mm - Suits 343 - 100 cm bredd

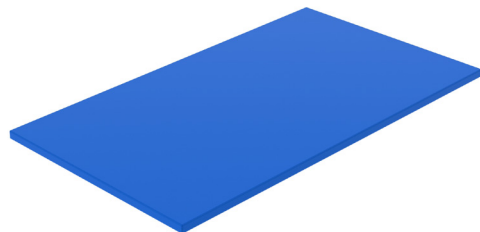
310-222

1176x676 mm - Suits 343 - 120 cm bredd

310-223

1376x676 mm - Suits 343 - 140 cm bredd

310-224



All-welded mattresses to 345

All-welded with sealed surface
Thickness: 30 mm

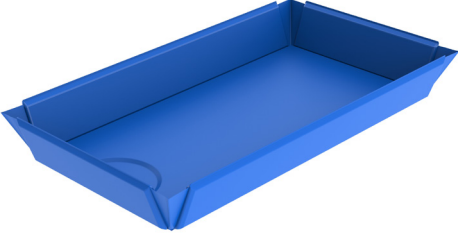
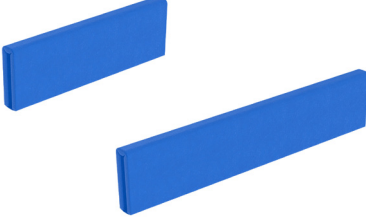
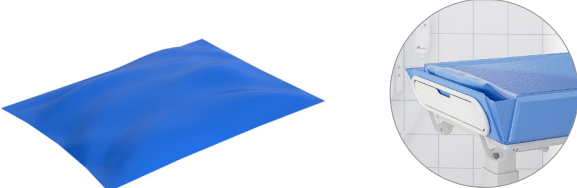
1400x700 mm

310-230

1800x700 mm

310-231

Accessories

		Art. no.				
	<p>All-welded mattresses to 346</p> <p>All-welded with sealed surface Thickness: 30 mm</p> <p>Supplied with flexible drain hose: 1200 mm, connection diameter 46 mm</p> <table border="1" data-bbox="772 367 1382 427"> <tr> <td>1400x700 mm</td> <td>310-240</td> </tr> <tr> <td>1800x700 mm</td> <td>310-241</td> </tr> </table>	1400x700 mm	310-240	1800x700 mm	310-241	
1400x700 mm	310-240					
1800x700 mm	310-241					
	<p>Border protection for Nursing bench 345</p> <p>The border provides a soft and comfortable shock absorber around the edges.</p> <p>All-welded with sealed surface. Thickness: 20 mm</p> <table border="1" data-bbox="772 1010 1382 1070"> <tr> <td>Fits end</td> <td>310-137</td> </tr> <tr> <td>Fits long side</td> <td>310-138</td> </tr> </table>	Fits end	310-137	Fits long side	310-138	
Fits end	310-137					
Fits long side	310-138					
	<p>Pillow for Shower trolley 346</p> <p>All-welded pillow with sealed surface. 270 g. Ball fibre.</p> <p>Width: 450 mm Depth: 350 mm</p> <table border="1" data-bbox="772 1644 1382 1666"> <tr> <td></td> <td>310-139</td> </tr> </table>		310-139			
	310-139					





GRANBERG INTERIOR AB

Importgatan 30
602 28 Norrköping
Sweden
Tel: +46 (0)11-19 77 50
Email: info@granberg.se
Internet: www.granberg.se

GRANBERG UNITED KINGDOM

Bellamy House Winton Road
Petersfield, Hampshire GU32 3HA
United Kingdom
Tel: +44 (0)800 0470 027
Email: info@granberg-uk.co.uk
Internet: www.granberg-uk.co.uk

SINCE 1870

