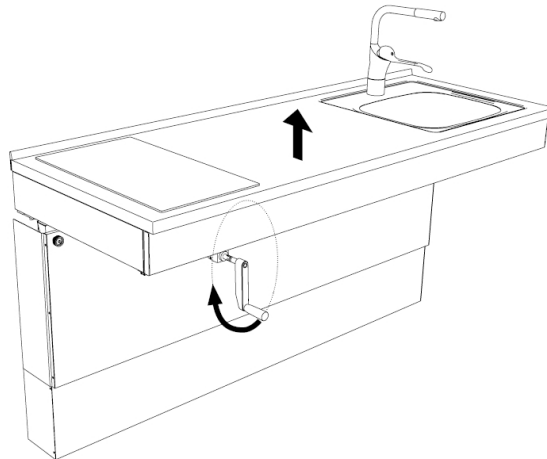


EN Operating / Care instructions Manulift 6350

1. Operating instructions

Manulift 6350 is a manual height adjustable work top for kitchen.
The height adjustment is made by a crank.

1. Crank clockwise to raise the bench and counterclockwise to lower the bench.
2. When the desired height has been reached, the crank can be folded in.



2. Maintenance

The product is maintenance-free. Greasing and other actions are made during the manufacturing for the lifetime of the product. From safety point of view however some components shall be inspected each year.

- Inspections, service and repair work shall be made by competent persons.
- Remove the objects from the worktop before maintenance and repair works are made.

3. Functional test

- Check that no cables or hoses are jammed and that they are fixed.
- Check that the wall installation is intact.
- If the worktop slopes down in the front, adjustment can be made.

4. Cleaning

Clean with lukewarm water and a non-scratching detergent containing soap or similar. Use a soft cloth or similar. After cleaning the surfaces shall be dried to avoid lime deposits.

**Scratching detergents or tools e.g. steel wool may not be used.
Consider that the product contains electrical components.**

5. Service & maintenance records

Order	Serial	Date
Date	Date	
Sign	Sign	
Remarks	Remarks	
Date	Date	
Sign	Sign	
Remarks	Remarks	