

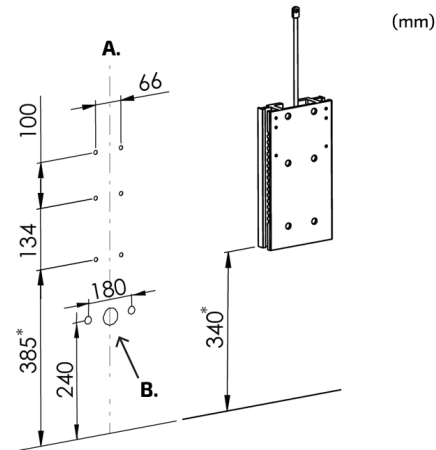
# EN Installation instructions Basicline 406

## 1. Installation on wall

**Check the wall construction before installation.**

**It is the installers responsibility to use the correct fixing details for each type of wall.**

### 1.1

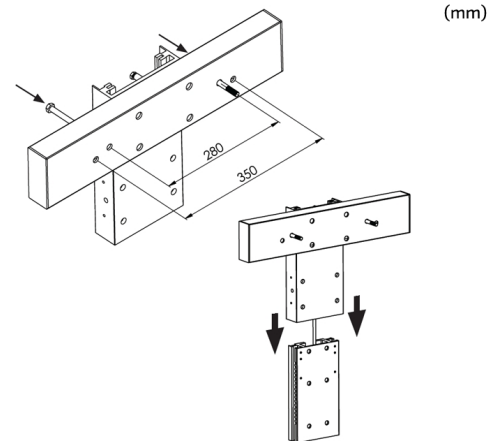


Water pipes are placed at c / c distance of 180 mm, 240 mm above the floor.  
Drains are placed between the pipes.

- A.** Centre
- B.** Water and sewer

\*Concerns the fitting of standard height which provides height adjustment 650-850 mm.

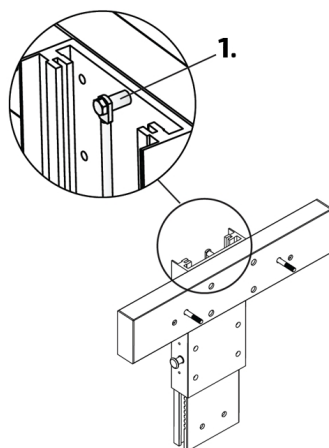
### 1.2



Push the bolts for washbasin.  
Place the bolts on the correct C / C distance for the basin to be used.

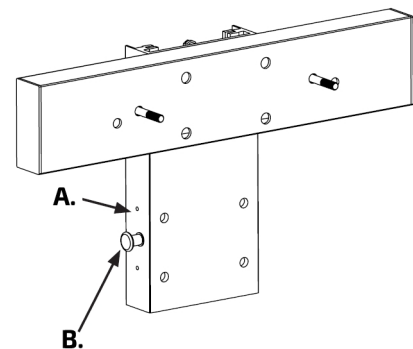
Sliding profiles in plastic should be lubricated with silicone spray before the outer profile slipped over the inner profile.

### 1.3



Lock the gas spring in the outer profile.  
The distance (1) shall be pinched between the gasspring and the outer profile.

### 1.4



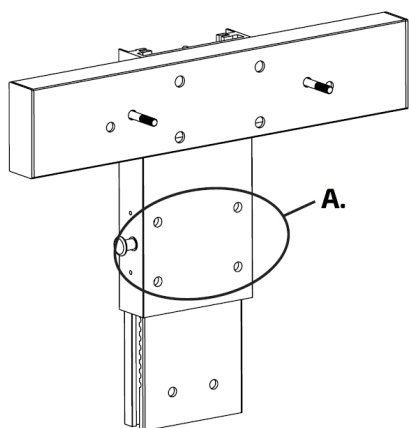
It is important that the sliding profiles are adjusted before you install the washbasin.  
Press lifting bracket in the lowest position, tighten adjustment screws (4) on the left side.

#### **To adjust the height:**

Pull out the locking pin, adjust the height and drop back the locking pin to lock.

- A.** 4 x adjustment screws
- B.** Locking pin

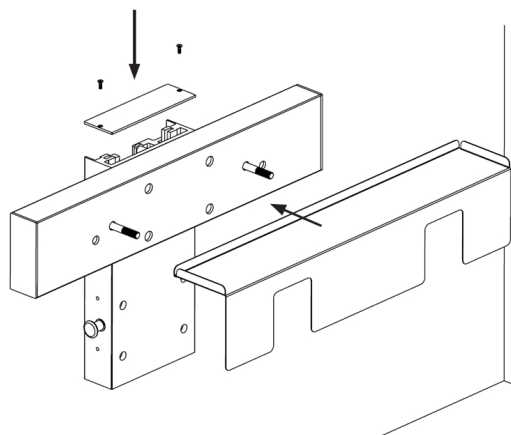
1.5



Adjust the lifting bracket in the highest position, tighten the adjustment screws visible in the four holes on the exterior profile. Run the lifting bracket up and down and make sure it runs smoothly.

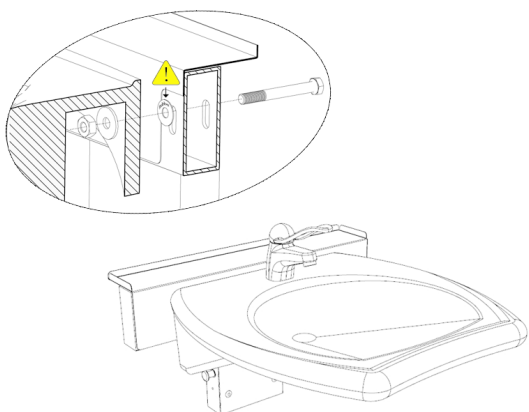
A. 4 x adjustment screws

1.6



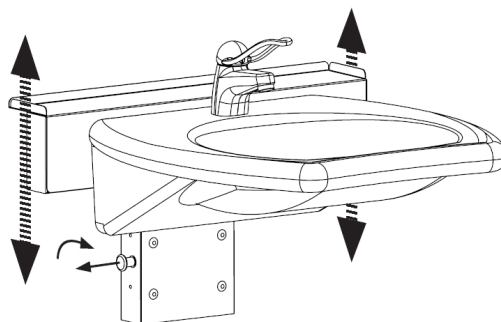
Install the cover plate and place the shelf as shown at the picture.

1.7



Mount the washbasin at the lifting bracket. Press the plastic plugs in the holes visible from the front under the washbasin (6). Check again by running the lifting bracket up and down and make sure it runs smoothly. It may need to be adjusted, see step 4-5.

1.8



**Operation:**

1. Pull the locking pin and turn 1/4 turn and release.
2. Raise:  
The gasspring will help you to lift the washbasin.  
Lower:  
Press the rear edge of the washbasin
3. Release the locking pin back to lock the height.

## 2. Functional test

- Check that the locking pin is properly fixed to the bracket.
- Check that no cables or hoses are jammed and that the water and sewer hoses are properly fixed to the wall.
- Make sure the wall installation and washbasin installation are intact.