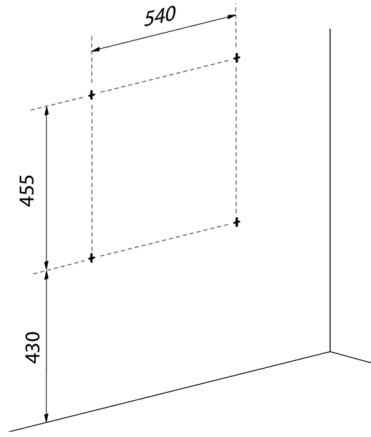


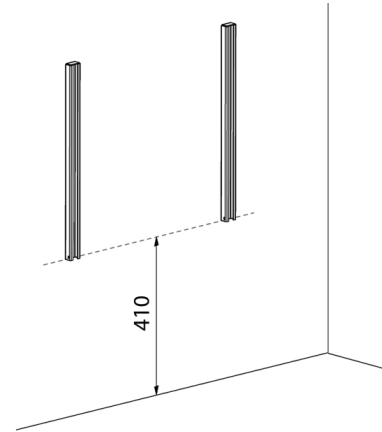
EN Installation instructions Basicline 403

1. Installation on wall

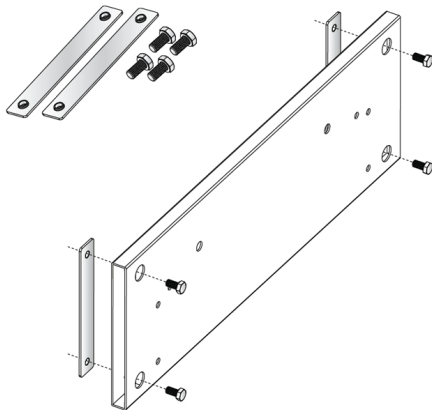
1.1 (mm)



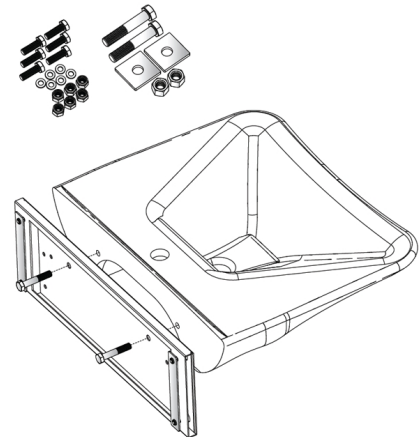
1.2



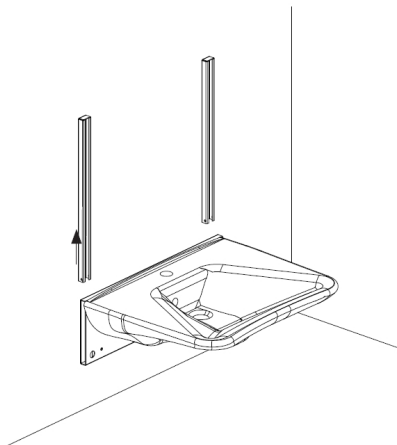
1.3



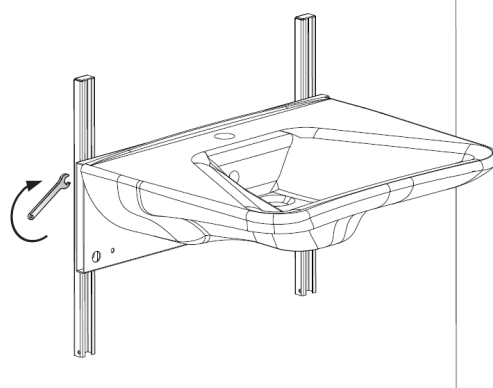
1.4



1.5

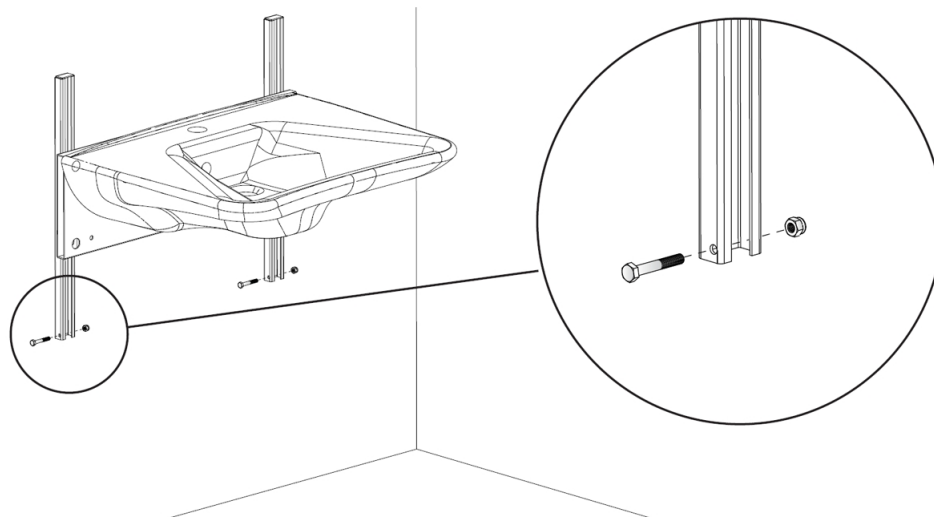


1.6



Tightening the screws at the right height for the user.

1.7



Mount the safety screws at the end of the bars.
2 pcs M6 x 40 mm with M6 nut.

2. Functional test

- Check that the screws that lock the desired height are tightened.
- Check that no cables or hoses are jammed and that the water and sewer hoses are properly fixed to the wall.
- Make sure the wall installation and washbasin installation are intact.