

EN Operating / Care instructions Show Trolley 346

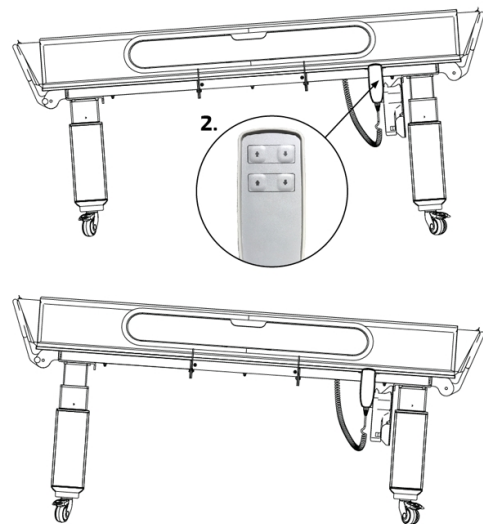
1. Operating instructions

Height adjustable shower trolley.

- Press and hold the button to start the operation.
- Release the button when the shower trolley is at the desired level.

Pos. 1 - Control button

Pos. 2 - Press the button to incline the table for water drainage..



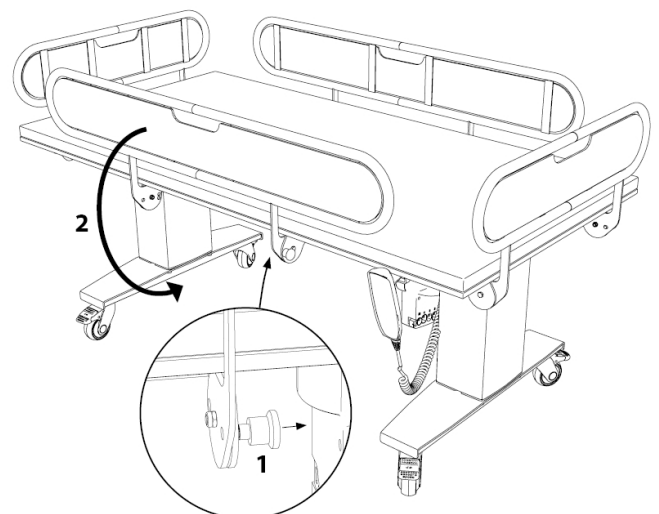
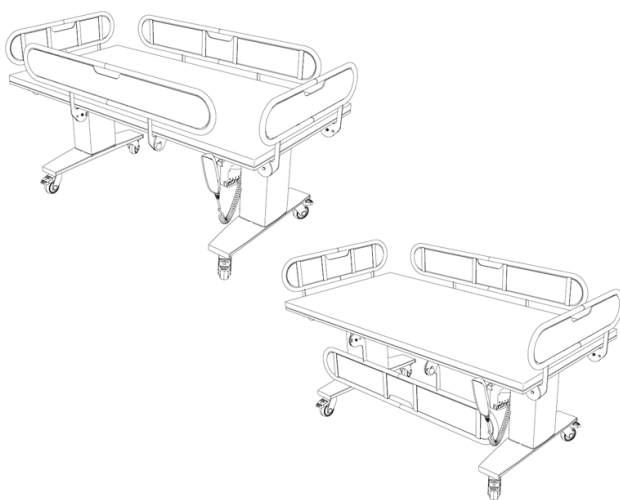
Fold down the gate

Pull out the locking pin according to (1) below and pull the gate towards you.

Fold down the gate until it locks in its lower position.

There are two lower positions.

To fold up the gate: Pull out the locking pin and lift up the gate.



2. Maintenance

The Shower Trolley is maintenance-free. Greasing and other actions are made during the manufacturing for the lifetime of the lift. From safety point of view however some components shall be inspected each year.

- Inspections, service and repair work shall be made by competent persons.
- Remove any objects from the Shower Trolley before maintenance and repair works are made.

3. Functional test

- Minimum distance to any adjacent fitting must be at least 50 mm.
If the distance from the changing surface to a wall or an adjacent fitting is less than 50 mm, a pinching hazard exists.
- Run the shower trolley down and up all the way to respectively end position. Check that it moves freely, without hindrance and jarring sounds.
- Check that no cables are jammed.
- **Shower trolley with two motors has to be synchronized:**
Press the down button for 5 seconds until the control box clicks. When the control box clicks the synchronisation is ok.

4. Cleaning

Clean with lukewarm water and a non-scratching detergent containing soap or similar. Use a soft cloth or similar. After cleaning the surfaces shall be dried to avoid lime deposits.

**Scratching detergents or tools e.g. steel wool may not be used.
Consider that the product contains electrical components.**

5. Service & maintenance records

Order	Serial	Date
Date	Date	
Sign	Sign	
Remarks	Remarks	
Date	Date	
Sign	Sign	
Remarks	Remarks	