

## EN Operating / Care instructions Nursing table 345

---

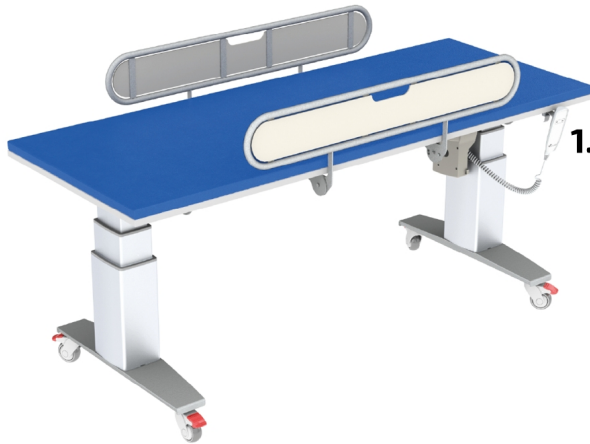
### 1. Operating instructions

Height adjustable nursing table.

- Press and hold the button to start the operation.
- Release the button when the nursing table is at the desired level.

#### Pos. 1

Control button



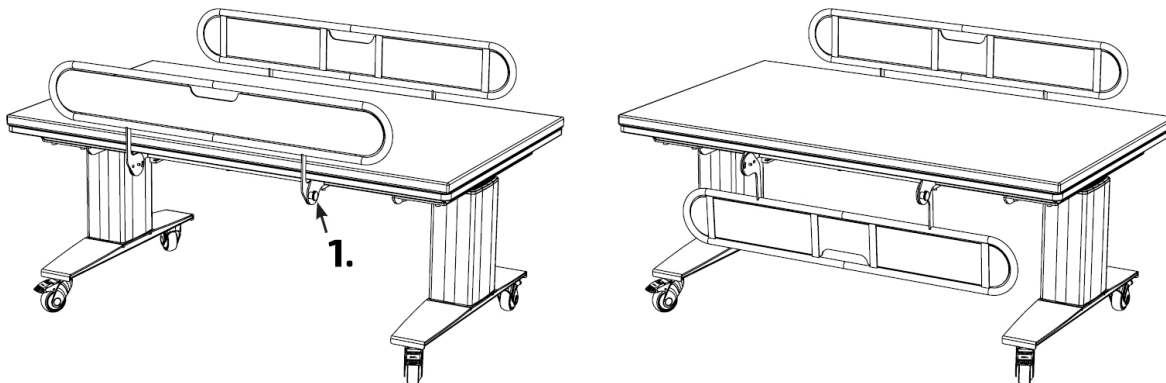
#### Fold down the gate

Pull out the locking pin according to (1) below and pull the gate towards you.

Fold down the gate until it locks in its lower position.

There are two lower positions.

To fold up the gate: Pull out the locking pin and lift up the gate.



## 2. Maintenance

The nursing table is maintenance-free. Greasing and other actions are made during the manufacturing for the lifetime of the lift. From safety point of view however some components shall be inspected each year.

- Inspections, service and repair work shall be made by competent persons.
- Remove any objects from the nursing table before maintenance and repair works are made.

## 3. Functional test

- Minimum distance to any adjacent fitting must be at least 50 mm.  
If the distance from the changing surface to a wall or an adjacent fitting is less than 50 mm, a pinching hazard exists.
- Run the nursing table down and up all the way to respectively end position. Check that it moves freely, without hindrance and jarring sounds.
- Check that no cables are jammed.
- **Nursing tables with two motors has to be synchronized:**  
Press the down button for 5 seconds until the control box clicks. When the control box clicks the synchronisation is ok.

## 4. Cleaning

Clean with lukewarm water and a non-scratching detergent containing soap or similar. Use a soft cloth or similar. After cleaning the surfaces shall be dried to avoid lime deposits.

**Scratching detergents or tools e.g. steel wool may not be used.  
Consider that the product contains electrical components.**

## 5. Service & maintenance records

Order	Serial	Date
<b>Date</b>	<b>Date</b>	
<b>Sign</b>	<b>Sign</b>	
<b>Remarks</b>	<b>Remarks</b>	
<b>Date</b>	<b>Date</b>	
<b>Sign</b>	<b>Sign</b>	
<b>Remarks</b>	<b>Remarks</b>	