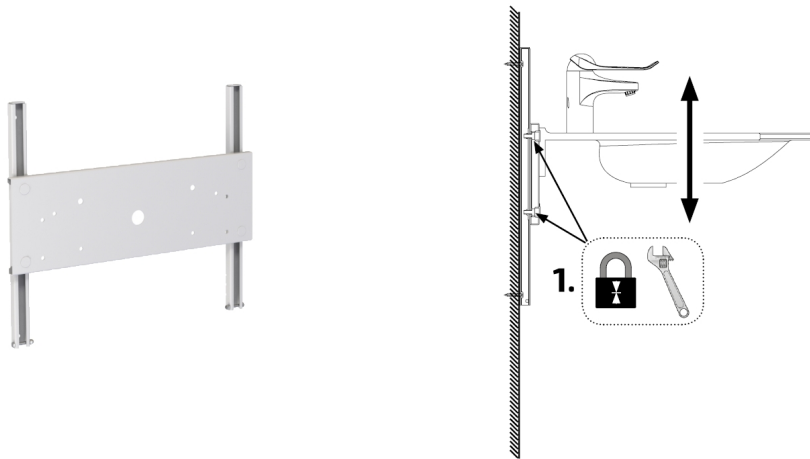


## 1. Operating instructions

Bracket for manual adjustment of washbasin height. The height is continuously variable. To be mounted beneath a mirror or mirrored cabinet.

### Height adjustment:

1. Loosen the screws, pos. 1, (4 pcs.).
2. Adjust the height.
3. Lock the screws, pos. 1, (4 pcs.).



## 2. Maintenance

The product is maintenance-free. Greasing and other actions are made during the manufacturing for the lifetime of the lift. From safety point of view however some components shall be inspected each year.

- Inspections, service and repair work shall be made by competent persons.
- Remove any objects from the washbasin before maintenance and repair works are made.

## 3. Functional test

- Check that the screws that lock the desired height are tightened.
- Check that no cables or hoses are jammed and that the water and sewer hoses are properly fixed to the wall.
- Make sure the wall installation and washbasin installation are intact.

## 4. Cleaning

Clean with lukewarm water and a non-scratching detergent containing soap or similar. Use a soft cloth or similar. After cleaning the surfaces shall be dried to avoid lime deposits.

Scratching detergents or tools e.g. steel wool may not be used.

## 5. Service & maintenance records

<b>Order</b>	<b>Serial</b>	<b>Date</b>
--------------	---------------	-------------

<b>Date</b>	<b>Date</b>
<b>Sign</b>	<b>Sign</b>
<b>Remarks</b>	<b>Remarks</b>

<b>Date</b>	<b>Date</b>
<b>Sign</b>	<b>Sign</b>
<b>Remarks</b>	<b>Remarks</b>