

# EN Operating / Care instructions Baselift

## 1. Operating instructions

Baselift is a motorized height adjustable worktop. The instructions include straight worktops and corner systems.

Height adjustment is done with wall- or floor-mounted motors.

Baselift is equipped with a safety strip under the front edge. The strip prevents the lift from moving once it comes into contact with an external source.

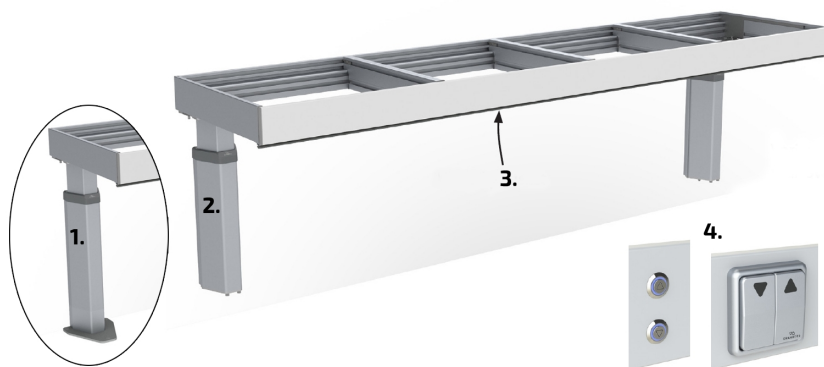
- Press and hold the button to start the operation.
- Release the button when the worktop is at the desired level.

**Pos. 1** - Floor-mounted motor

**Pos. 2** - Wall-mounted motor

**Pos. 3** - Safety strip

**Pos. 4** - Variants of buttons for up / down operation.



## 2. Maintenance

The lifting system is maintenance-free. Greasing and other actions are made during the manufacturing for the lifetime of the product. From safety point of view however some components shall be inspected each year.

- Inspections, service and repair work shall be made by competent persons.
- Remove the objects from the worktop before maintenance and repair works are made.

## 3. Functional test

- Run the worktop lift unit down and up all the way to respectively end position and make the following checks:
  - Check that it moves freely, without hindrance and jarring sounds.
  - Check that it stays in the lowest resp. top positions.
- Check that no cables or hoses are jammed and that they are fixed.
- Lower the worktop lift unit and check that the safety strip under the aluminium frame works properly, by means of pressing lightly onto it. The worktop lift shall stop immediately.

## 4. Cleaning

Clean with lukewarm water and a non-scratching detergent containing soap or similar. Use a soft cloth or similar. After cleaning the surfaces shall be dried to avoid lime deposits.

**Scratching detergents or tools e.g. steel wool may not be used.**  
**Consider that the product contains electrical components.**

## 5. Service & maintenance records

Order	Serial	Date
<b>Date</b>	<b>Date</b>	
<b>Sign</b>	<b>Sign</b>	
<b>Remarks</b>	<b>Remarks</b>	
<b>Date</b>	<b>Date</b>	
<b>Sign</b>	<b>Sign</b>	
<b>Remarks</b>	<b>Remarks</b>	