

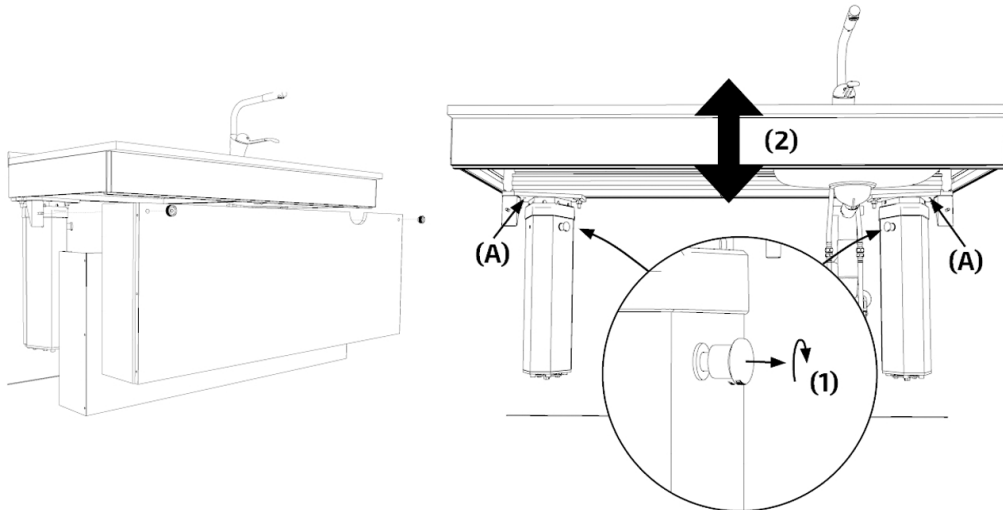
## EN Operating / Care instructions Manulift 6380

### 1. Operating instructions

Manulift 6380 is a manual height adjustable work top for kitchen.

The height adjustment is made by the wall brackets (behind the cover plates).

1. Pull out both of the pins and lock them in the outer position by turning the pin 90 degrees.
2. Adjust to desired height.  
Turn back the pins 90 degrees and make sure that it locks in a hole in the bracket.  
(Lift up and push down the worktop to make sure that the worktop is in a locked position.)



### 2. Maintenance

The product is maintenance-free. Greasing and other actions are made during the manufacturing for the lifetime of the product. From safety point of view however some components shall be inspected each year.

- Inspections, service and repair work shall be made by competent persons.
- Remove the objects from the worktop before maintenance and repair works are made.

### 3. Functional test

- Check that the pins that lock the desired height are in the locking-positions.
- Check that no cables or hoses are jammed and that they are fixed.
- Check that the wall installation is intact.
- If the worktop slopes down, adjustment can be made by the screw (A).

## 4. Cleaning

Clean with lukewarm water and a non-scratching detergent containing soap or similar. Use a soft cloth or similar. After cleaning the surfaces shall be dried to avoid lime deposits.

**Scratching detergents or tools e.g. steel wool may not be used.**  
**Consider that the product contains electrical components.**

## 5. Service & maintenance records

Order	Serial	Date
<b>Date</b>	<b>Date</b>	
<b>Sign</b>	<b>Sign</b>	
<b>Remarks</b>	<b>Remarks</b>	
<b>Date</b>	<b>Date</b>	
<b>Sign</b>	<b>Sign</b>	
<b>Remarks</b>	<b>Remarks</b>	